

SAW Filter 800.0MHz
Part No: MP01462

Model: TA0740A
Rev. No: 2

A. MAXIMUM RATING:

1. Input Power Level: 5dBm
2. DC voltage: 5V
3. Operating Temperature: -20°C to 70°C
4. Storage Temperature: -40°C to +85°C

B. CHARACTERISTICS:

Item	Unit	Min.	Typ.	Max.
Center frequency Fc MHz		-	800	-
Insertion loss 790 ~ 810MHz IL	dB	-	2.4	3.8
Amplitude ripple 790 ~ 810MHz	dB	-	0.8	2.0
Attenuation (Reference level from 0dB)				
600 ~ 700MHz	dB	40	47	-
700 ~ 750MHz	dB	30	45	-
860 ~ 900MHz	dB	30	42	-
900 ~ 1000MHz	dB	38	47	-
Source impedance Z _S	Ω	-	50	-
Load impedance Z _L	Ω	-	50	-

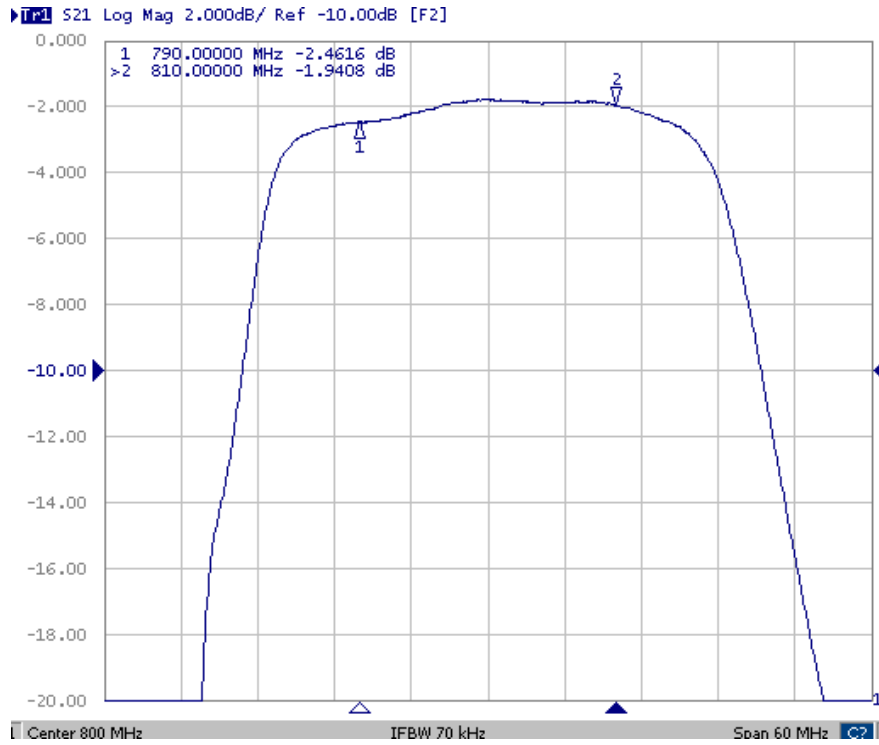
Note: No matching network required for operation at 50Ω

SAW Filter 800.0MHz
Part No: MP01462

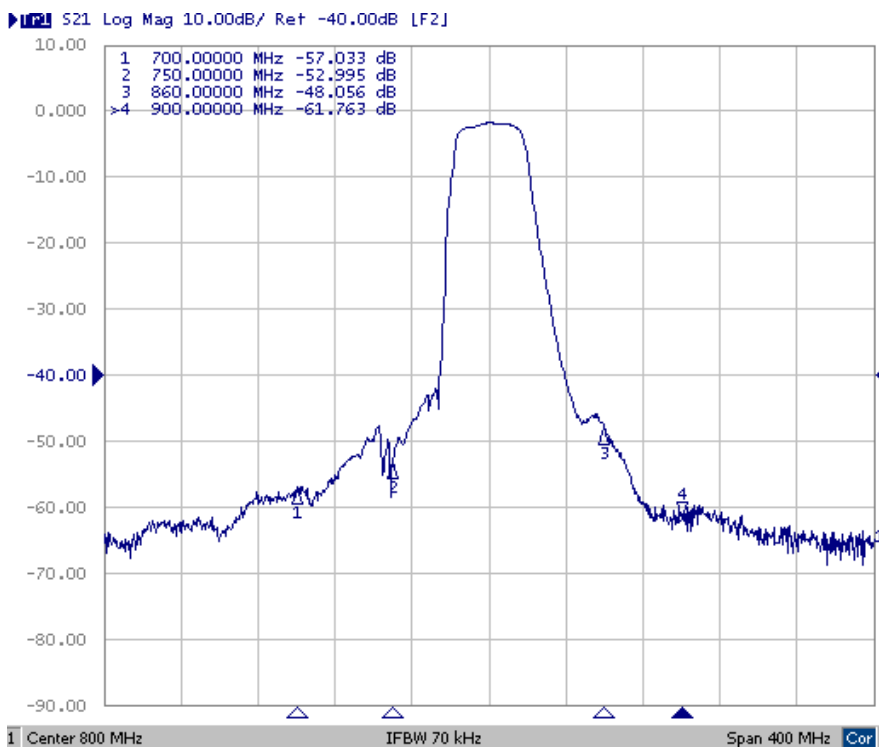
Model: TA0740A
Rev. No: 2

C. FREQUENCY CHARACTERISTICS:

1. Transfer Function



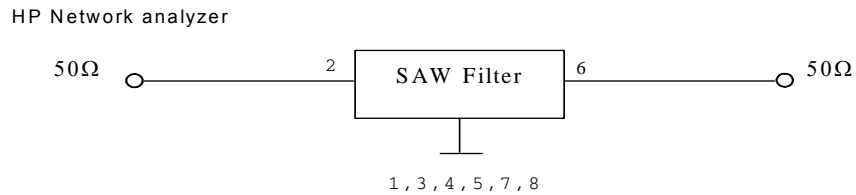
2. Wideband



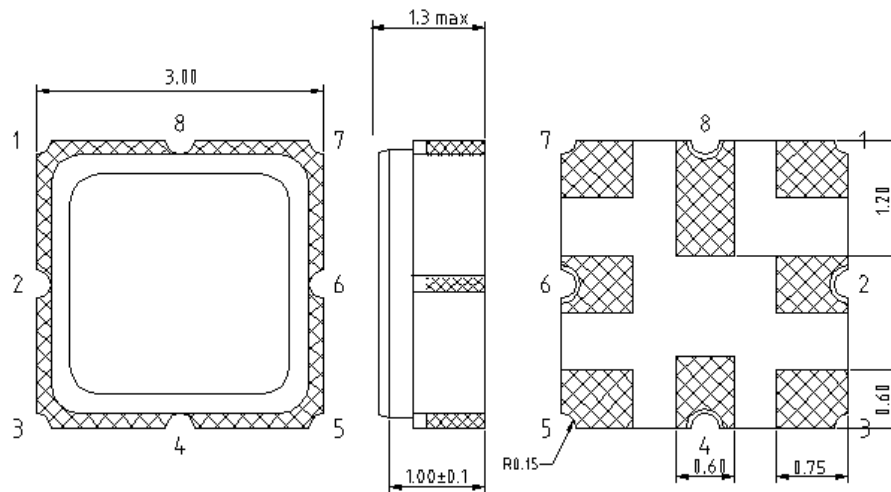
SAW Filter 800.0MHz
Part No: MP01462

Model: TA0740A
Rev. No: 2

D. MEASUREMENT CIRCUIT:

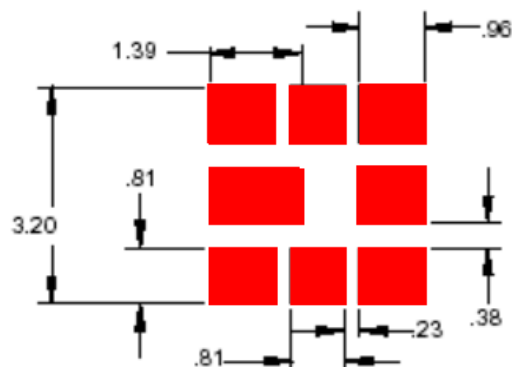


E. OUTLINE DRAWING:



2: Input
 6: Output
 1, 3, 4, 5, 7, 8: Ground
 Unit: mm

F. PCB FOOTPRINT:

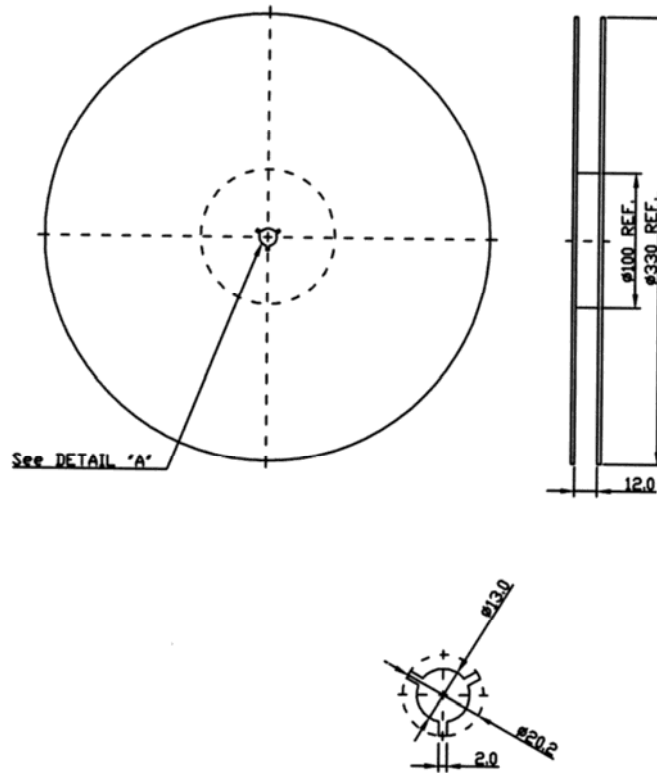


SAW Filter 800.0MHz
Part No: MP01462

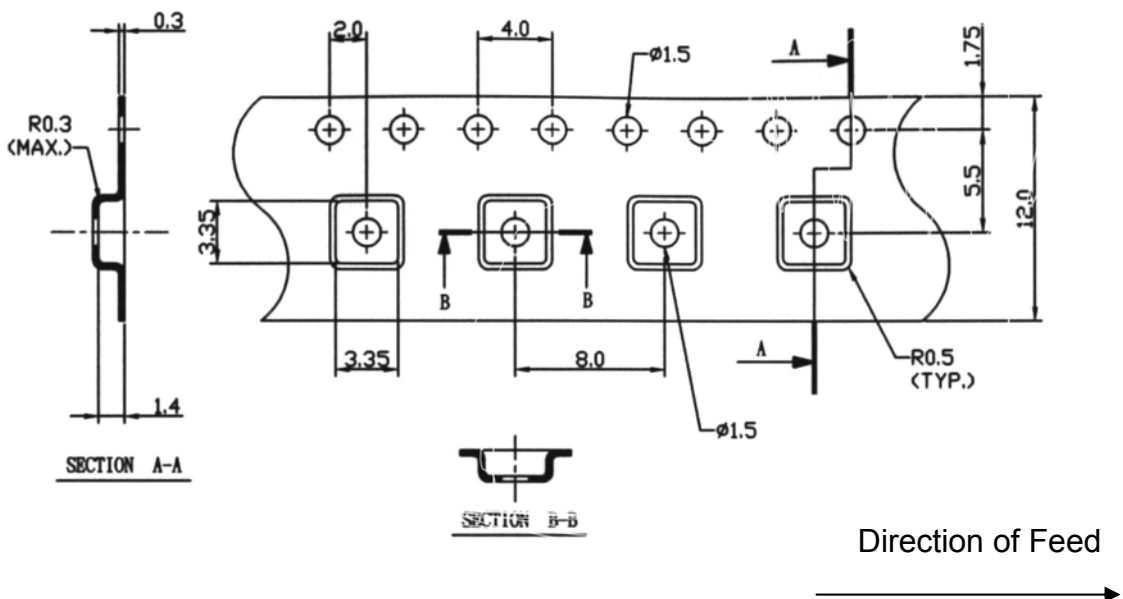
Model: TA0740A
Rev. No: 2

G. PACKING:

1. Reel Dimension



2. Tape Dimension



SAW Filter 800.0MHz
Part No: MP01462

Model: TA0740A
Rev. No: 2

H. RECOMMENDED REFLOW PROFILE:

