

SAW Filter 453.6950MHz
Part No: MP01404

Model: TA0940A
Rev. No: 2

A. MAXIMUM RATING:

1. Input Power Level: 10dBm
2. DC voltage: 3V
3. Operating Temperature: +10°C to +70°C
4. Storage Temperature: -40°C to +85°C

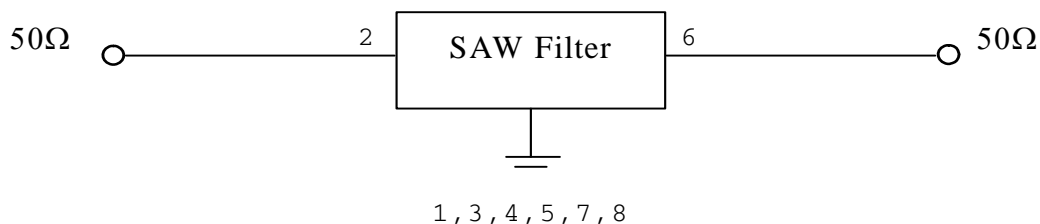
B. ELECTRICAL CHARACTERISTICS:

Item	Unit	Min.	Typ.	Max.
Center frequency Fc	MHz	-	453.695	-
Insertion loss (451.195 ~ 456.195MHz) IL	dB	-	2.0	3.6
Amplitude ripple (451.195 ~ 456.195MHz)	dB	-	0.3	2.1
VSWR (451.195 ~ 456.195MHz)	-	-	1.27	2.1
Attenuation (Reference level from 0dB)				
10 ~ 397MHz	dB	40	64	-
397 ~ 406MHz	dB	40	75	-
406 ~ 441MHz	dB	10	55	-
494 ~ 600MHz	dB	40	65	-
Temperature Coefficient	ppm/°C	-	-36	-
Source impedance Z _S	(Ω)	-	50	-
Load impedance Z _L	(Ω)	-	50	-

C. MEASUREMENT CIRCUIT:

50Ω Test circuit (single-ended / single-ended)

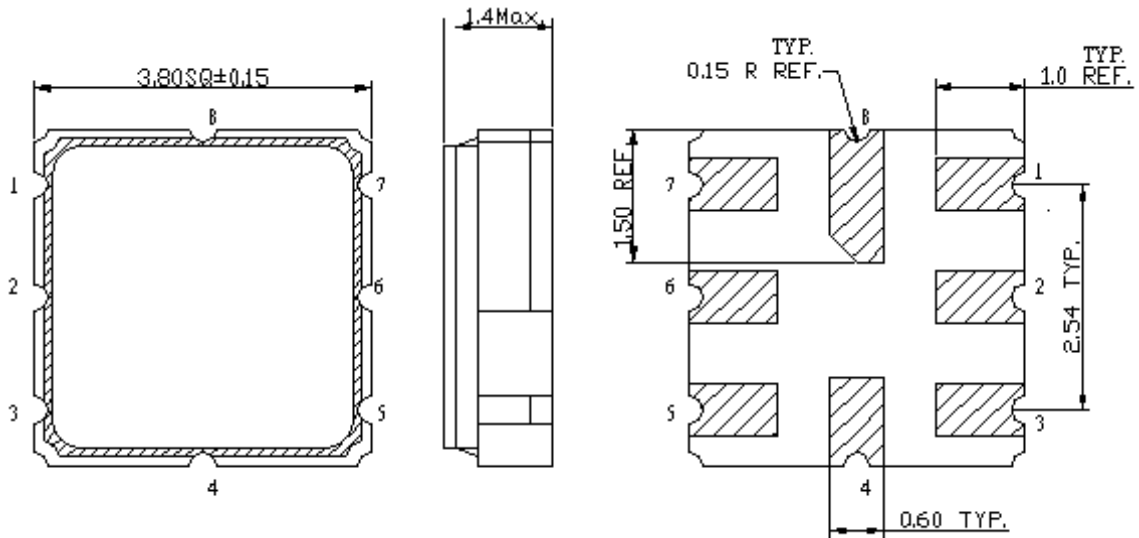
HP Network analyzer



SAW Filter 453.6950MHz
Part No: MP01404

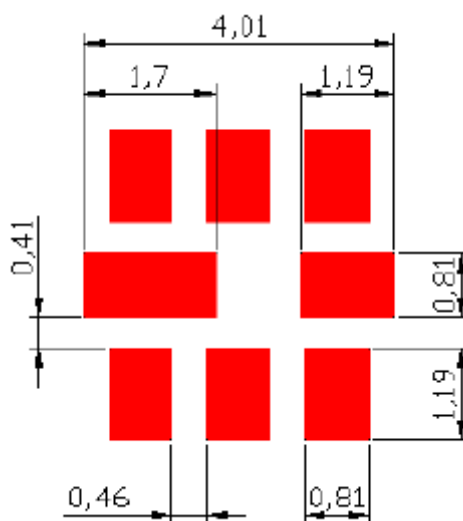
Model: TA0940A
Rev. No: 2

D. OUTLINE DRAWING:



2: Input
 6: Output
 1, 3, 4, 5, 7, 8: Ground
 Unit: mm

E. PCB FOOTPRINT:

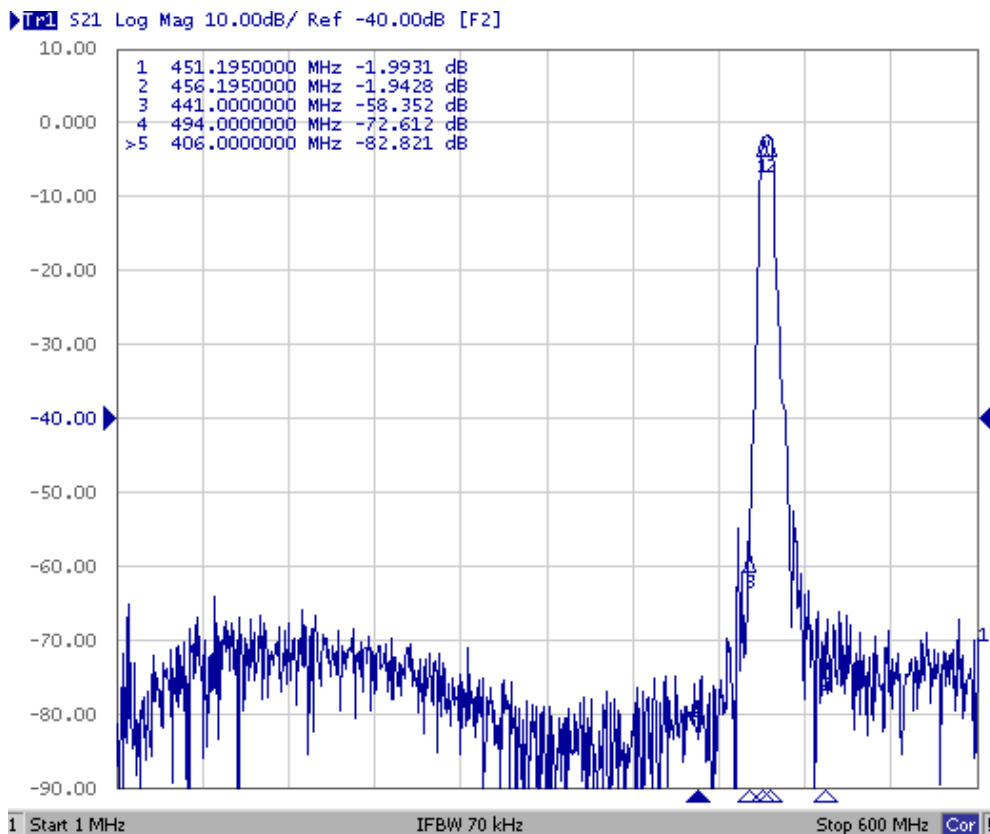
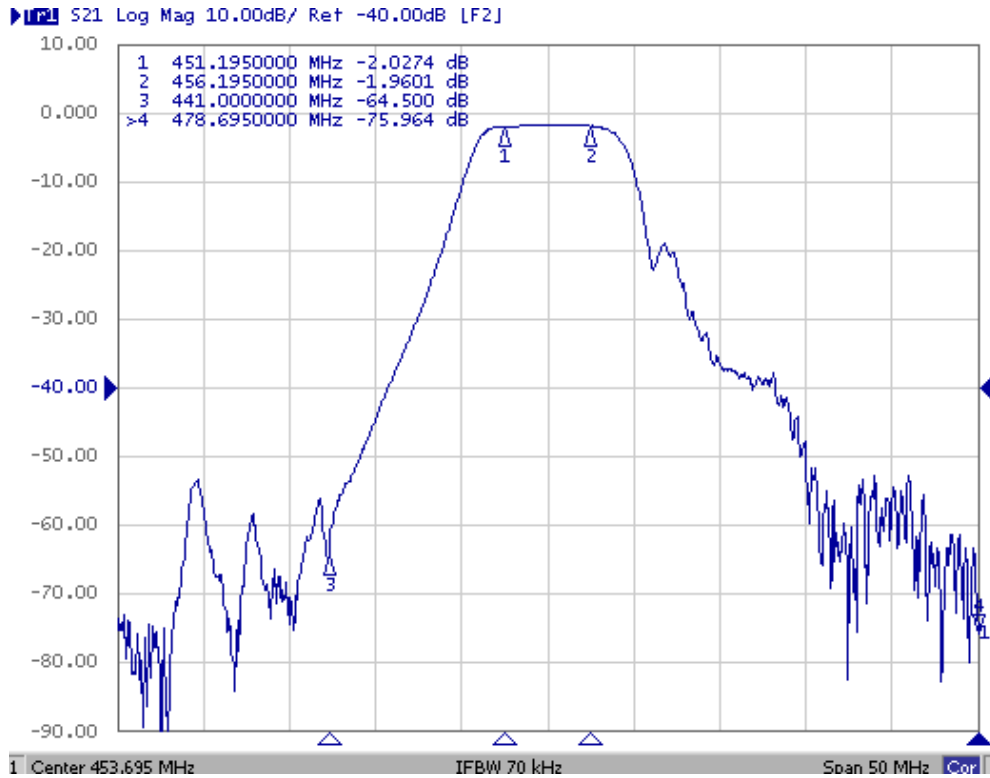


SAW Filter 453.6950MHz
Part No: MP01404

Model: TA0940A
Rev. No: 2

F. FREQUENCY CHARACTERISTICS:

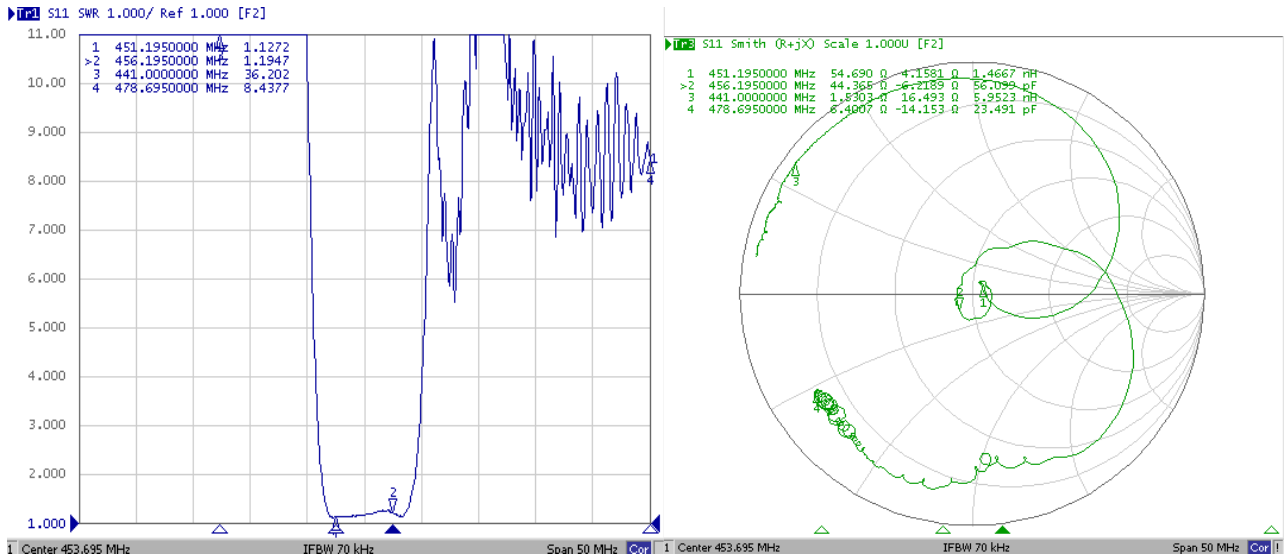
1. Transfer function



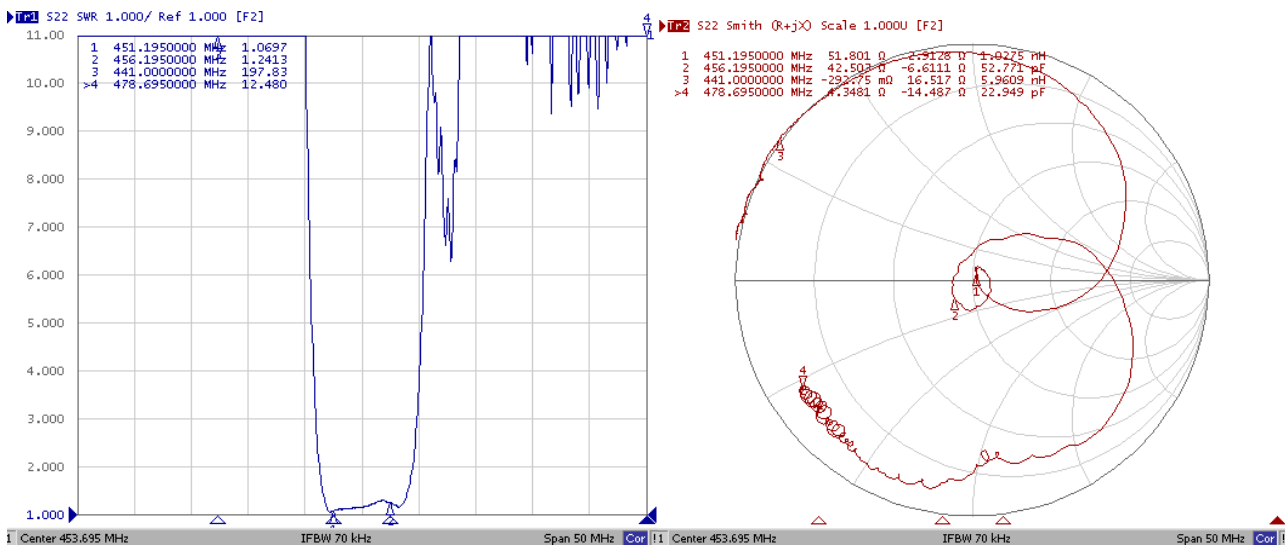
SAW Filter 453.6950MHz
Part No: MP01404

Model: TA0940A
Rev. No: 2

S11



S22

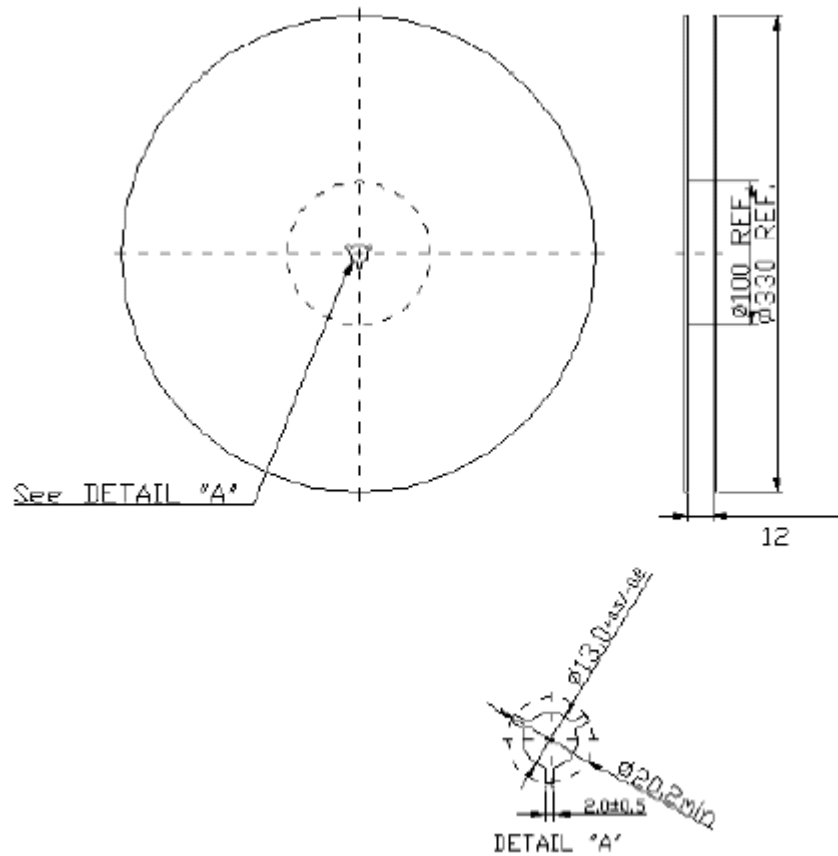


SAW Filter 453.6950MHz
Part No: MP01404

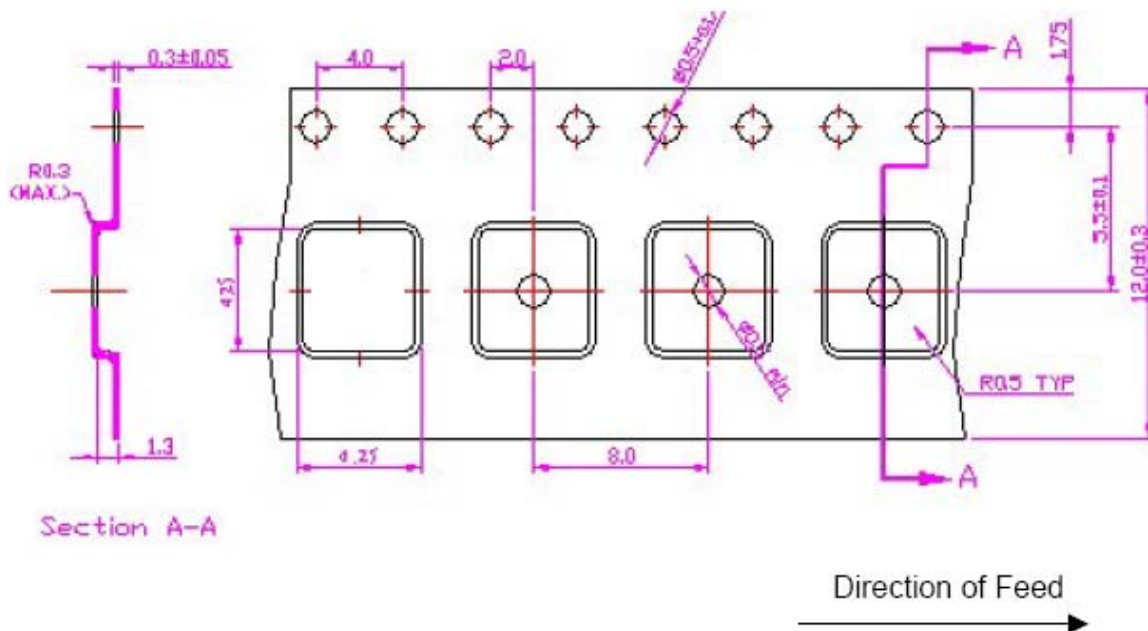
Model: TA0940A
Rev. No: 2

G. PACKING:

1. Reel Dimension



2. Tape Dimension



SAW Filter 453.6950MHz
Part No: MP01404

Model: TA0940A
Rev. No: 2

H. RECOMMENDED REFLOW PROFILE:

