

SAW Filter 1795.0MHz

Model: TA0798A

Part No: MP01375

Rev. No: 2

A. MAXIMUM RATING:

1. Input Power Level: 10dBm
2. DC voltage: 3V
3. Operating Temperature: -40°C to +85°C
4. Storage Temperature: -40°C to +85°C

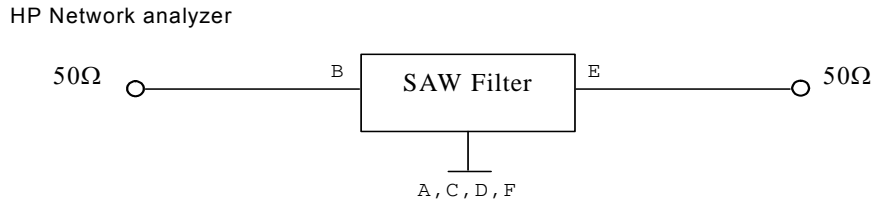
B. ELECTRICAL CHARACTERISTICS:

Item	Unit	Min.	Typ.	Max.
Center frequency Fc	MHz	-	1795	-
Insertion loss within 1787.5 ~ 1802.5MHz IL	dB	-	1.5	3.5
Amplitude ripple (p-p) within 1787.5 ~ 1802.5MHz	dB	-	0.2	2.0
Group Delay (1787.5 ~ 1802.5MHz)	ns	-	15.0	40.0
Return Loss (1787.5 ~ 1802.5 MHz)	dB	10	15	-
Attenuation (Reference level from 0dB)				
800 ~ 1730MHz	dB	30	37	-
1730 ~ 1740MHz	dB	20	37	-
1740 ~ 1755MHz	dB	6	17	-
1835 ~ 1845MHz	dB	6	19	-
1845 ~ 2800MHz	dB	30	41	-
Source impedance Z _S	Ω	-	50	-
Load impedance Z _L	Ω	-	50	-

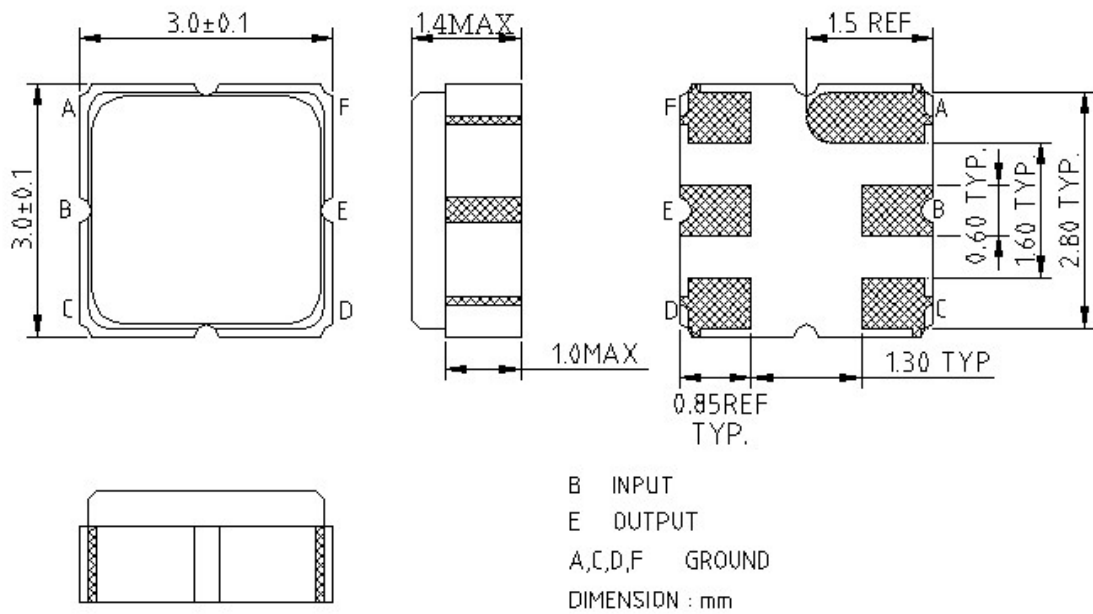
SAW Filter 1795.0MHz
Part No: MP01375

Model: TA0798A
Rev. No: 2

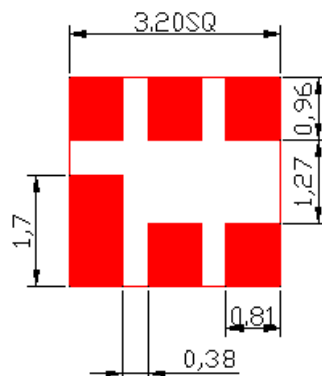
C. MEASUREMENT CIRCUIT:



D. OUTLINE DRAWING:



E. PCB FOOTPRINT:

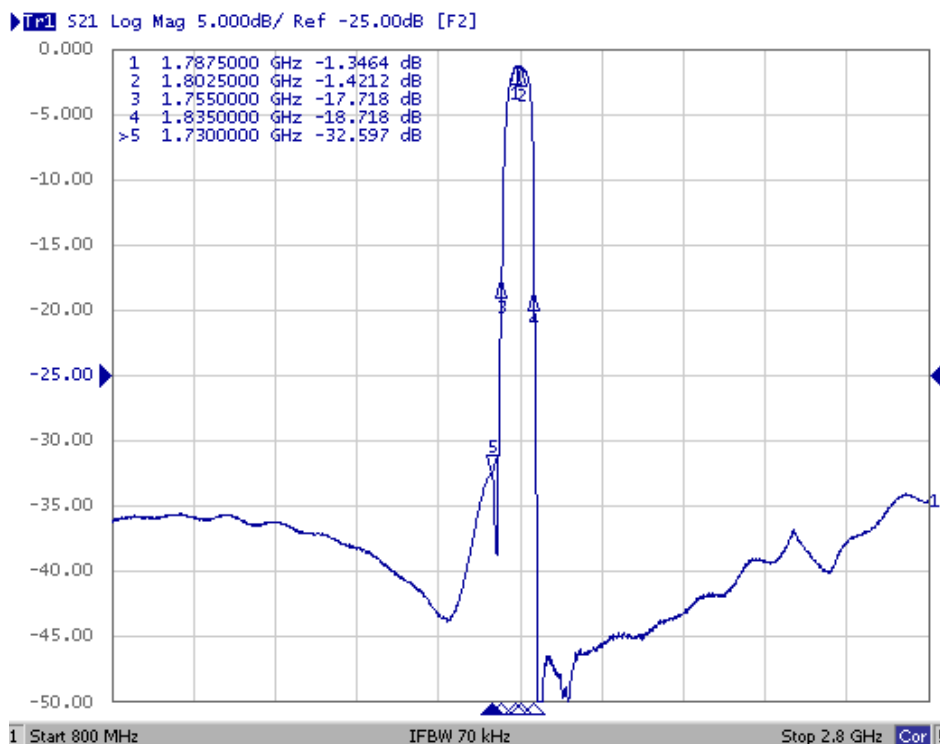
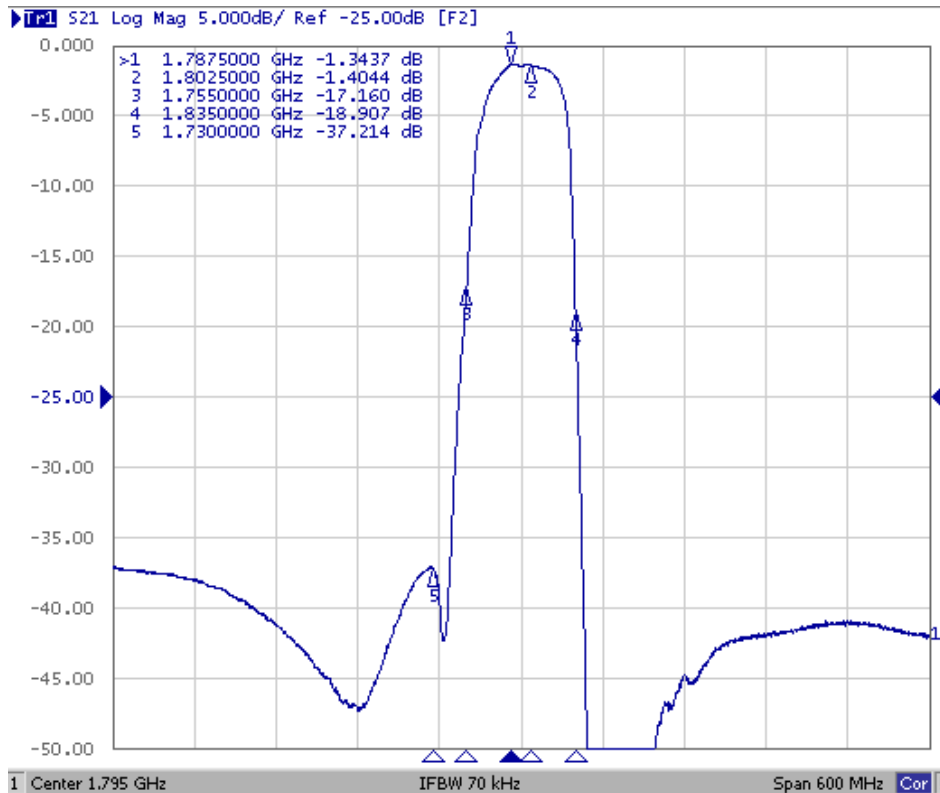


SAW Filter 1795.0MHz
Part No: MP01375

Model: TA0798A
Rev. No: 2

F. FREQUENCY CHARACTERISTICS:

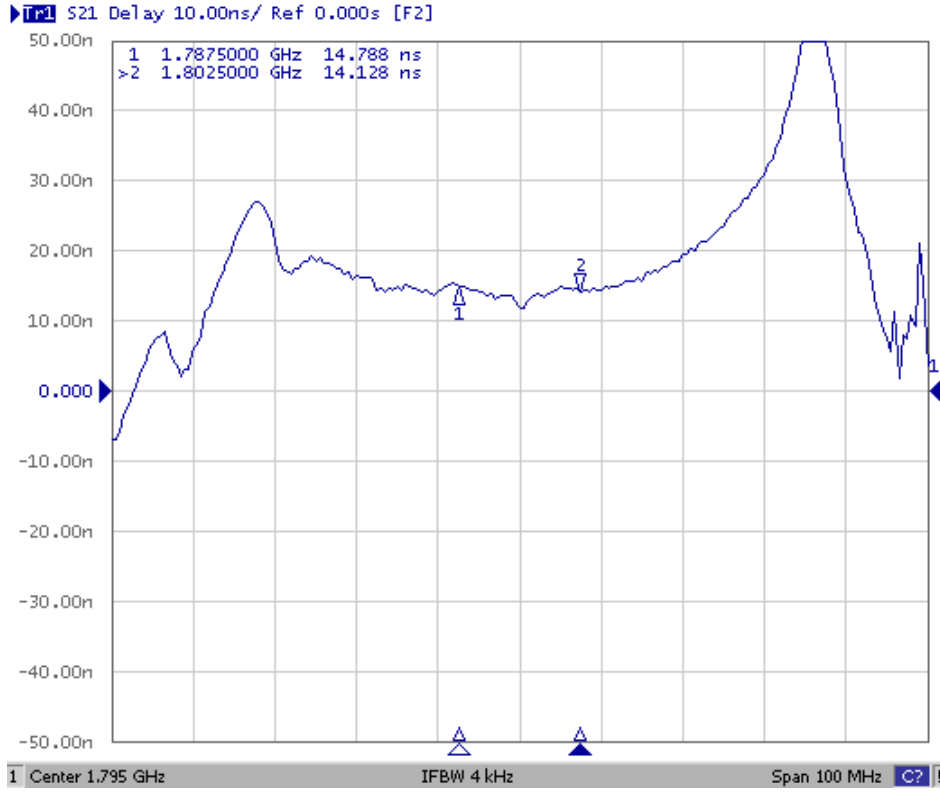
1. Transfer function



SAW Filter 1795.0MHz
Part No: MP01375

Model: TA0798A
Rev. No: 2

2. Group Delay



SAW Filter 1795.0MHz
Part No: MP01375

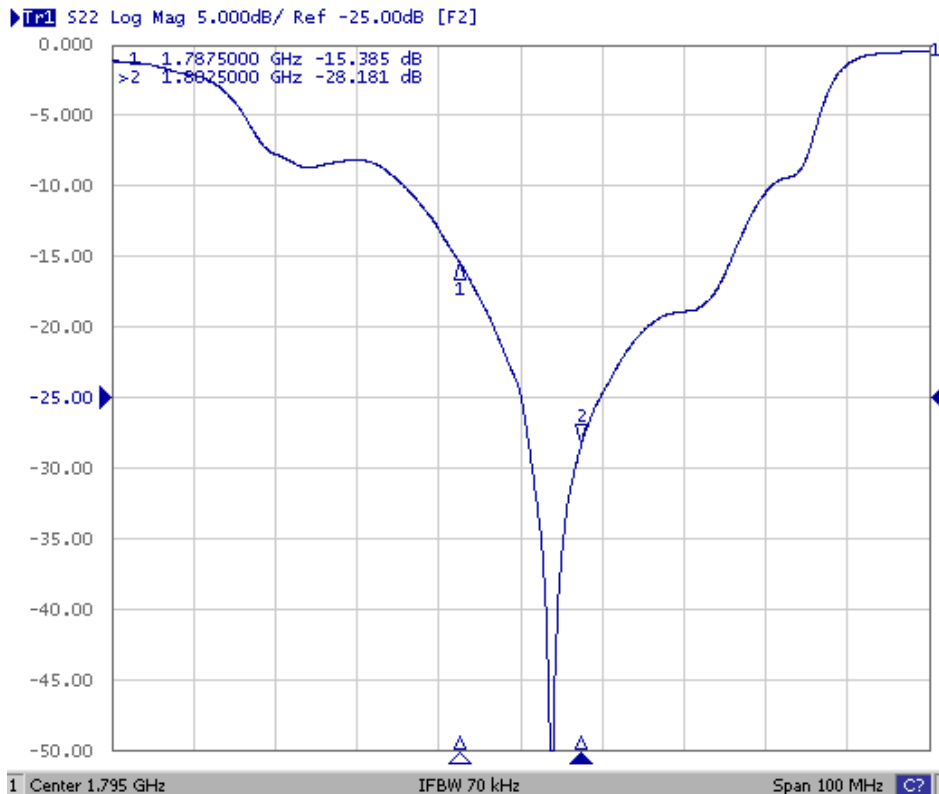
Model: TA0798A
Rev. No: 2

3. Reflection Functions:

S11



S22

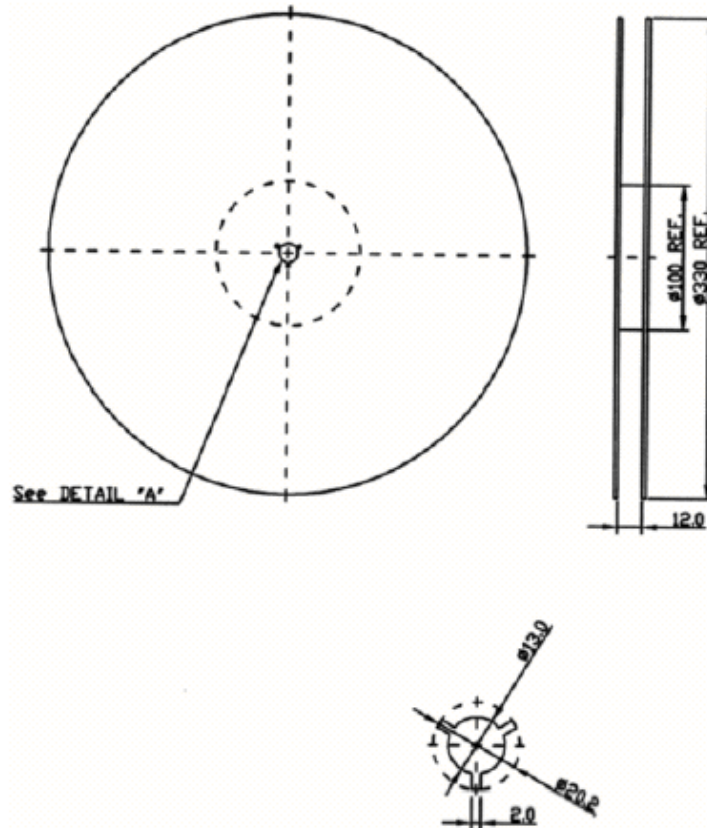


SAW Filter 1795.0MHz
Part No: MP01375

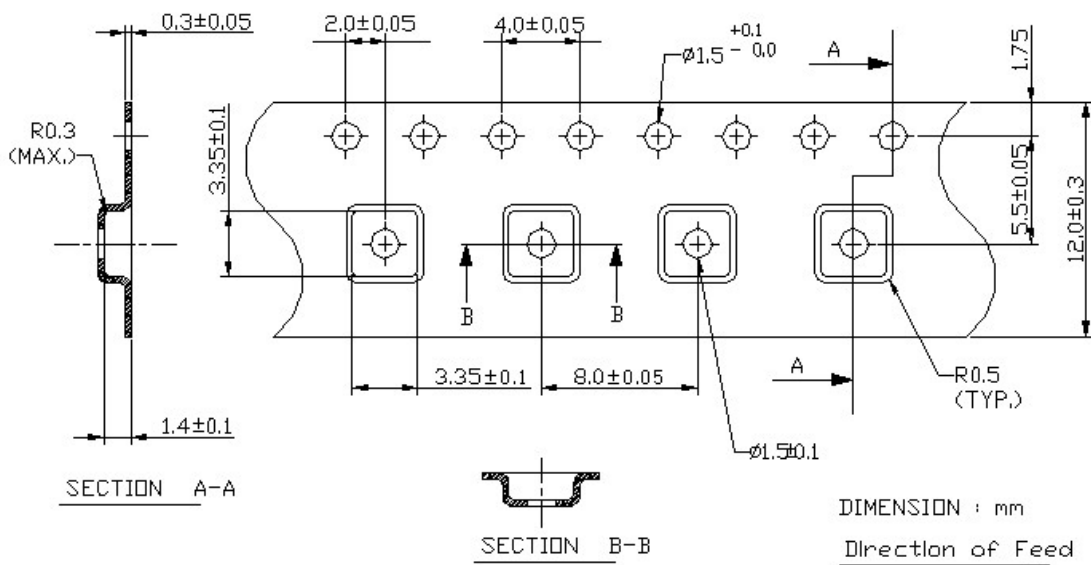
Model: TA0798A
Rev. No: 2

G. PACKING:

1. Reel Dimension



2. Tape Dimension



SAW Filter 1795.0MHz
Part No: MP01375

Model: TA0798A
Rev. No: 2

H. RECOMMENDED REFLOW PROFILE:

