

SAW Filter 1461.50MHz
Part No: MP01334

Model: TA0719A
Rev. No: 2

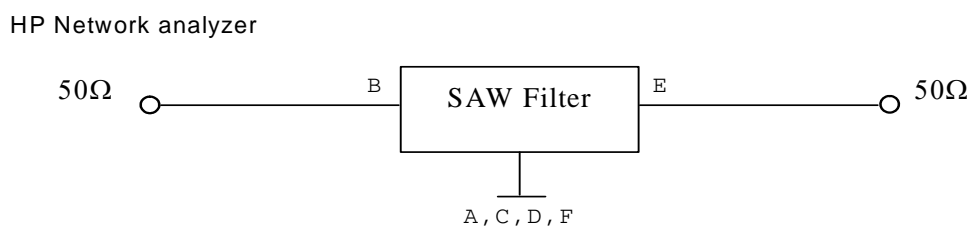
A. MAXIMUM RATING:

1. Input Power Level: 10dBm
2. DC Voltage: 3V
3. Operating Temperature: 0°C to +50°C
4. Storage Temperature: -40°C to +85°C

B. ELECTRICAL CHARACTERISTICS:

Item	Unit	Min.	Typ.	Max.	Note
Center Frequency Fc	MHz	-	1461.5	-	-
Insertion Loss (1459 ~ 1464MHz) IL	dB	-	2.8	4	-
Amplitude Ripple (1459 ~ 1464MHz)	dB	-	0.2	1	-
VSWR (1459 ~ 1464MHz)		-	1.5	2	-
Attenuation (Reference level from 0dB)					
DC ~ 100MHz	dB	60	78	-	-
1395 ~ 1400MHz	dB	20	49	-	-
1523 ~ 1528MHz	dB	20	44	-	-
2856.5 ~ 2861.5MHz	dB	40	44	-	-
2984.5 ~ 2989.5MHz	dB	40	43	-	-

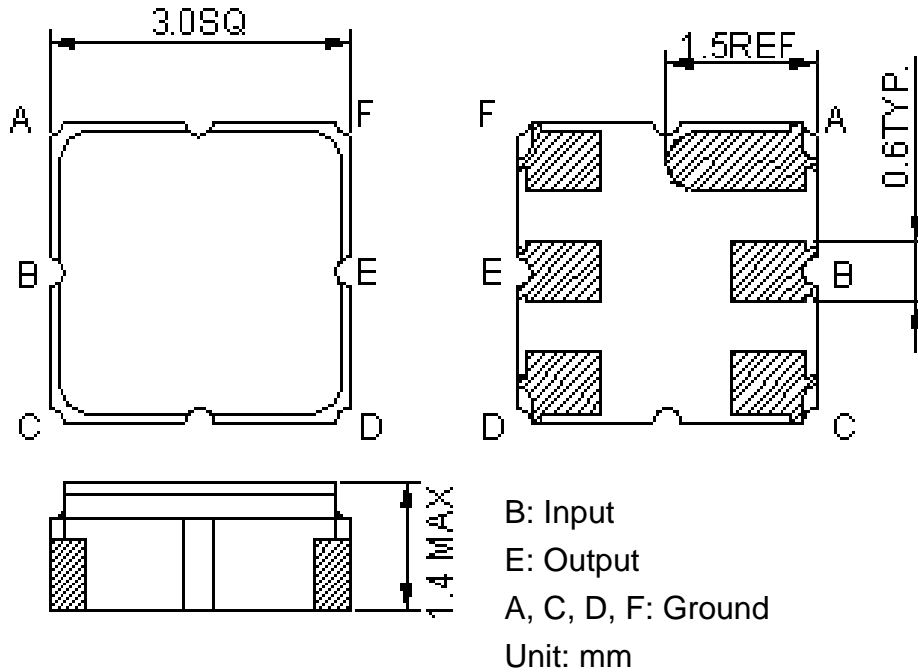
C. MEASUREMENT CIRCUIT:



SAW Filter 1461.50MHz
Part No: MP01334

Model: TA0719A
Rev. No: 2

D. OUTLINE DRAWING:



Note :

The base material is ceramic with Au over Ni plating.

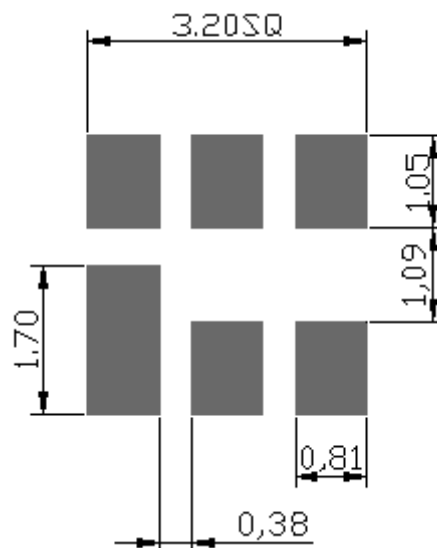
The plating thicknesses are:

Electro Ni: 1.27 ~ 8.89µm.

Electro Au: 0.3 ~ 1.0µm (solder pads only).

0.3µm Min. (Others)

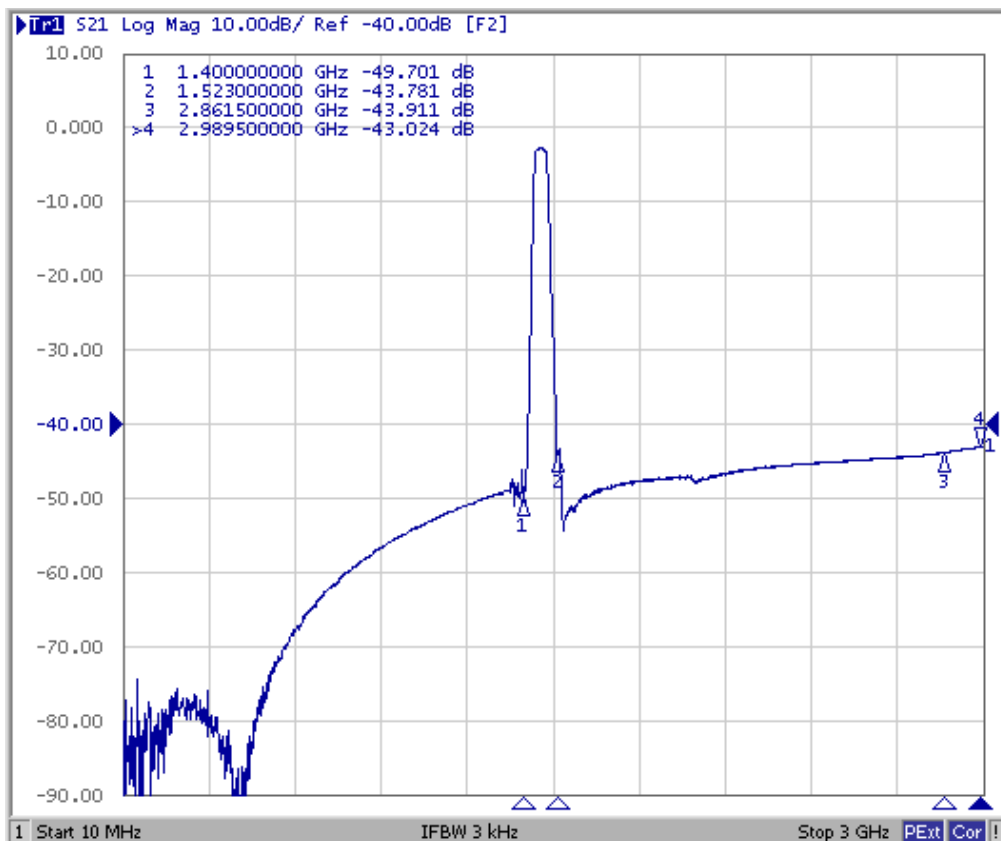
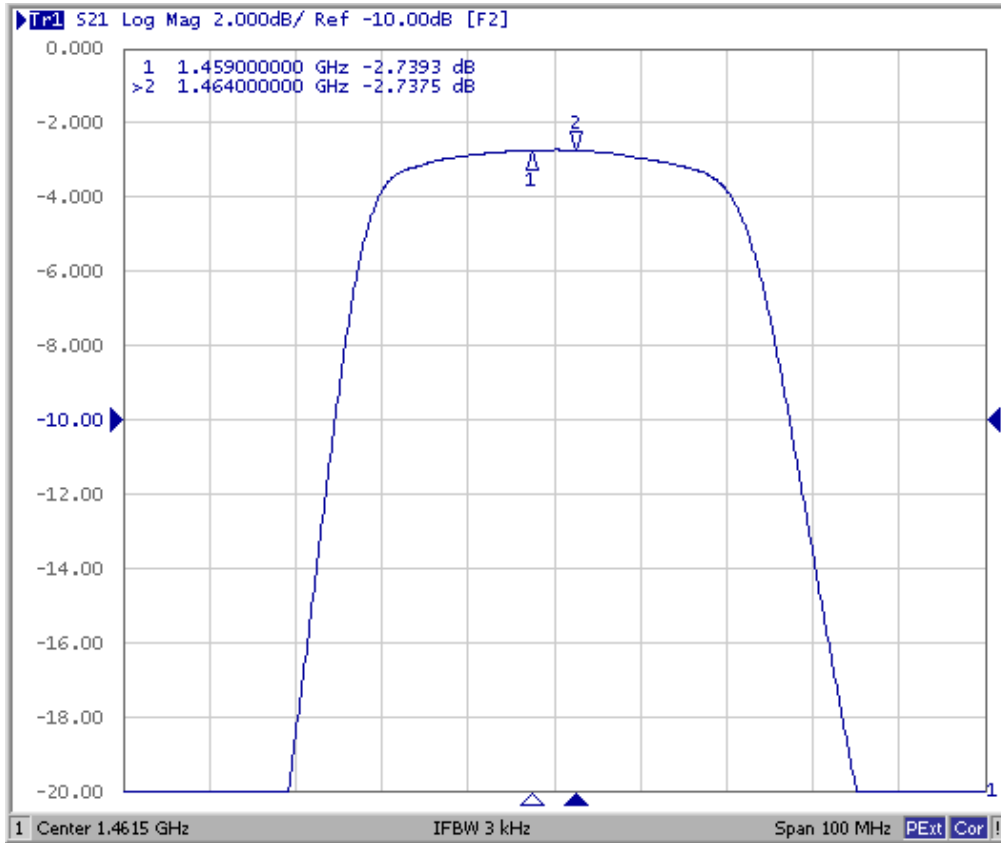
E. PCB FOOTPRINT:



SAW Filter 1461.50MHz
Part No: MP01334

Model: TA0719A
Rev. No: 2

F. FREQUENCY CHARACTERISTICS:

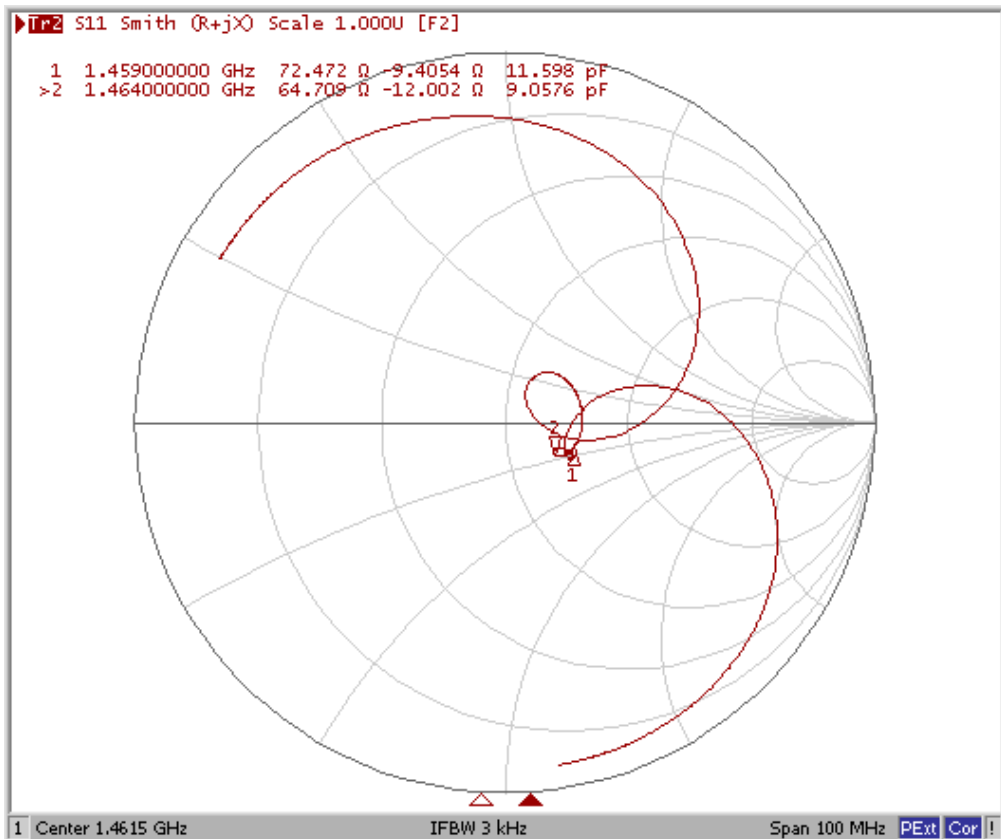
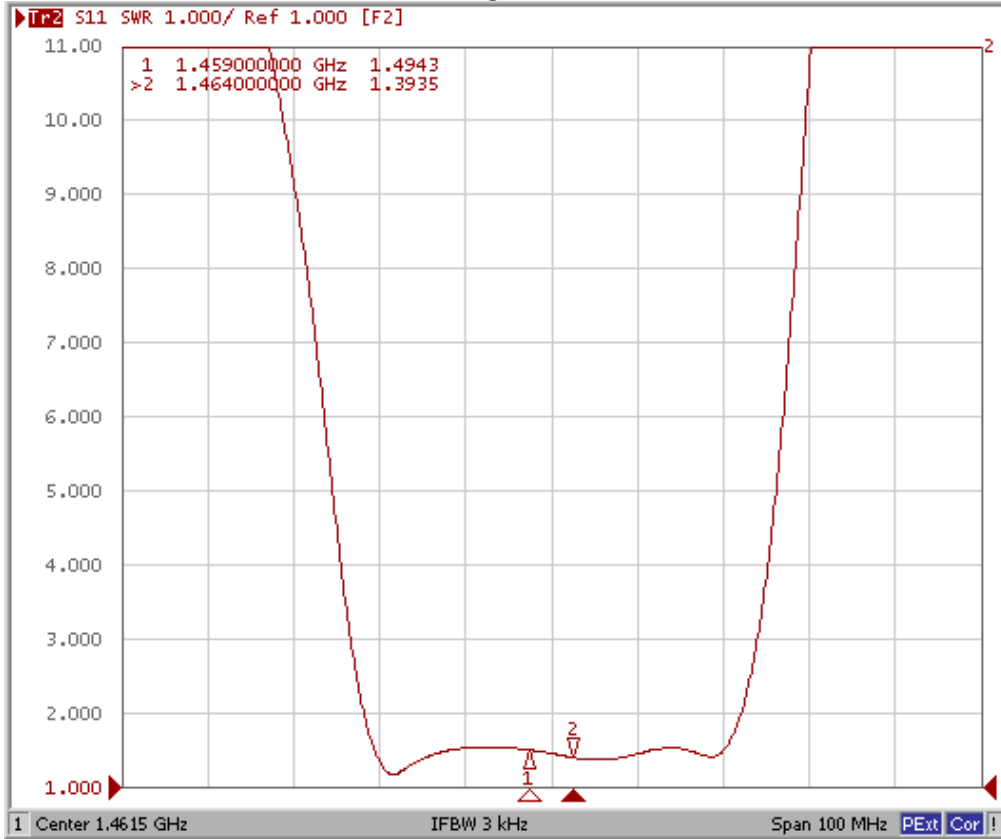


SAW Filter 1461.50MHz
Part No: MP01334

Model: TA0719A
Rev. No: 2

Reflection Functions

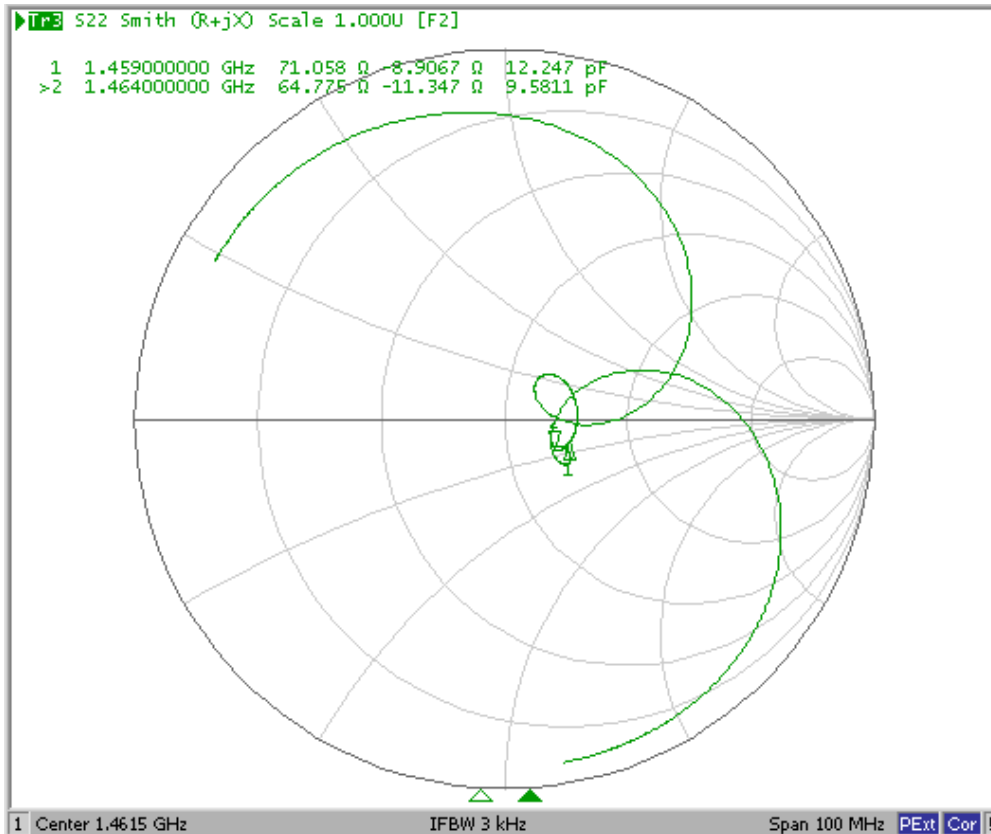
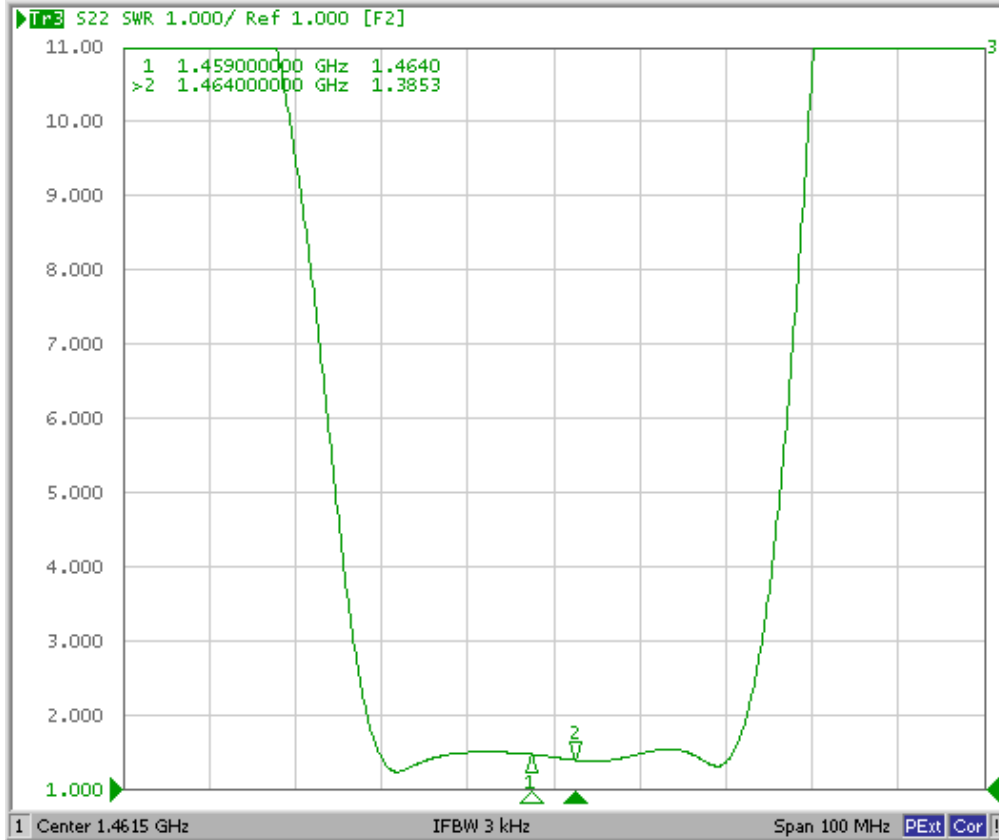
S11



SAW Filter 1461.50MHz
Part No: MP01334

Model: TA0719A
Rev. No: 2

S22

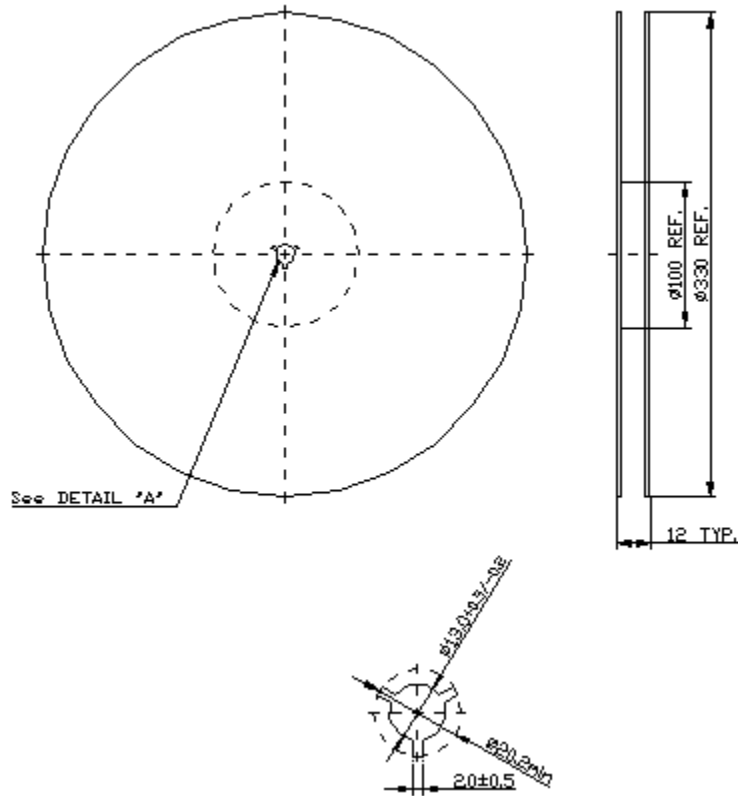


SAW Filter 1461.50MHz
Part No: MP01334

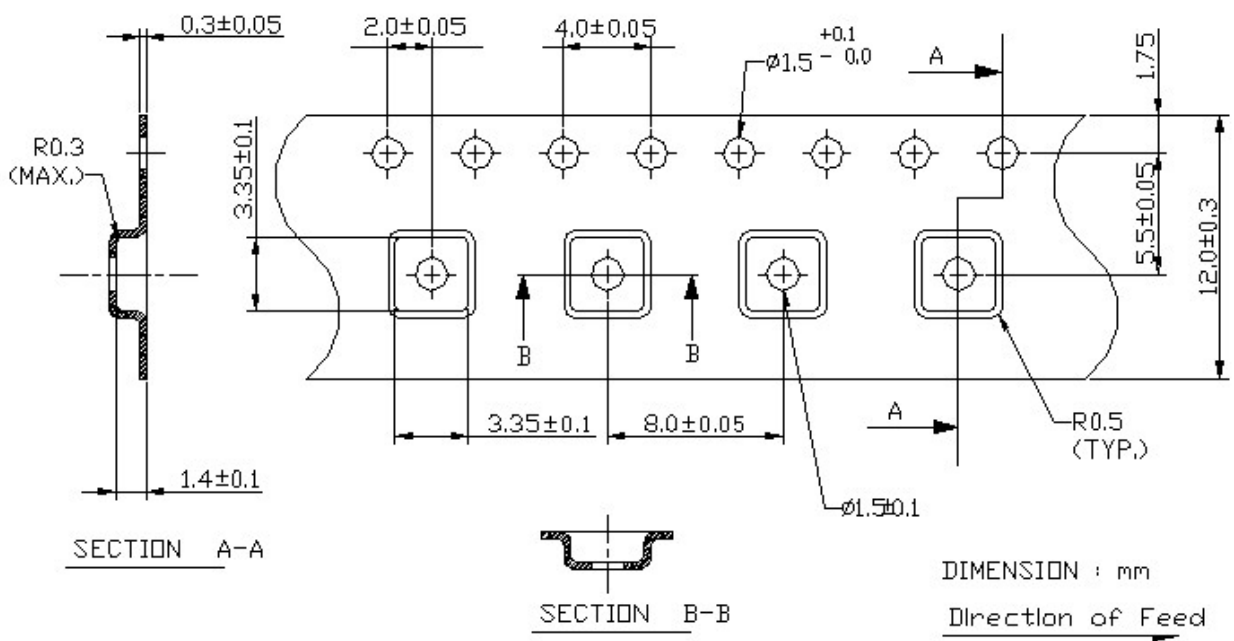
Model: TA0719A
Rev. No: 2

G. PACKING:

1. Reel Dimension (Reel Count: 7" = 1000; 13" = 3000)



2. Tape Dimension



SAW Filter 1461.50MHz
Part No: MP01334

Model: TA0719A
Rev. No: 2

H. RECOMMENDED REFLOW PROFILE:

