

SAW Filter 925.0MHz

Model: TA0463A

Part No: MP01323

REV NO.:1

A. MAXIMUM RATING:

1. Input Power Level: 10 dBm
2. DC voltage: 5 V
3. Operating Temperature: -20°C to 75°C
4. Storage Temperature: -40°C to +85°C

B. CHARACTERISTICS:

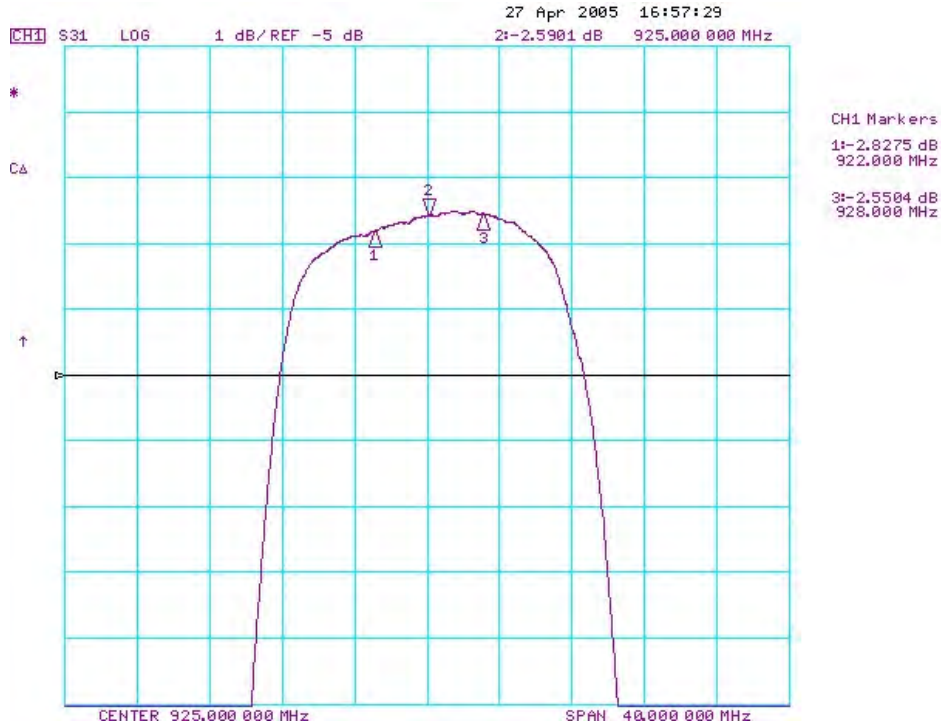
| Item | | Min. | Typ. | Max. |
|--|-----------------------|------|------|------|
| Center frequency | Fc MHz | - | 925 | - |
| Insertion loss | 922 ~ 928 MHz IL (dB) | - | 2.9 | 4.2 |
| Amplitude ripple | 922 ~ 928 MHz (dB) | - | 0.4 | 2.0 |
| Attenuation (Reference level from 0dB) | | | | |
| | 775 ~ 835 MHz (dB) | 40 | 54 | - |
| | 835 ~ 895 MHz (dB) | 36 | 54 | - |
| | 970 ~ 992 MHz (dB) | 36 | 51 | - |
| | 992 ~ 1075 MHz (dB) | 38 | 52 | - |
| Source impedance | Zs (Ω) | - | 50 | - |
| Load impedance | ZL (Ω) | - | 50 | - |

Note1. No matching network required for operation at 50Ω

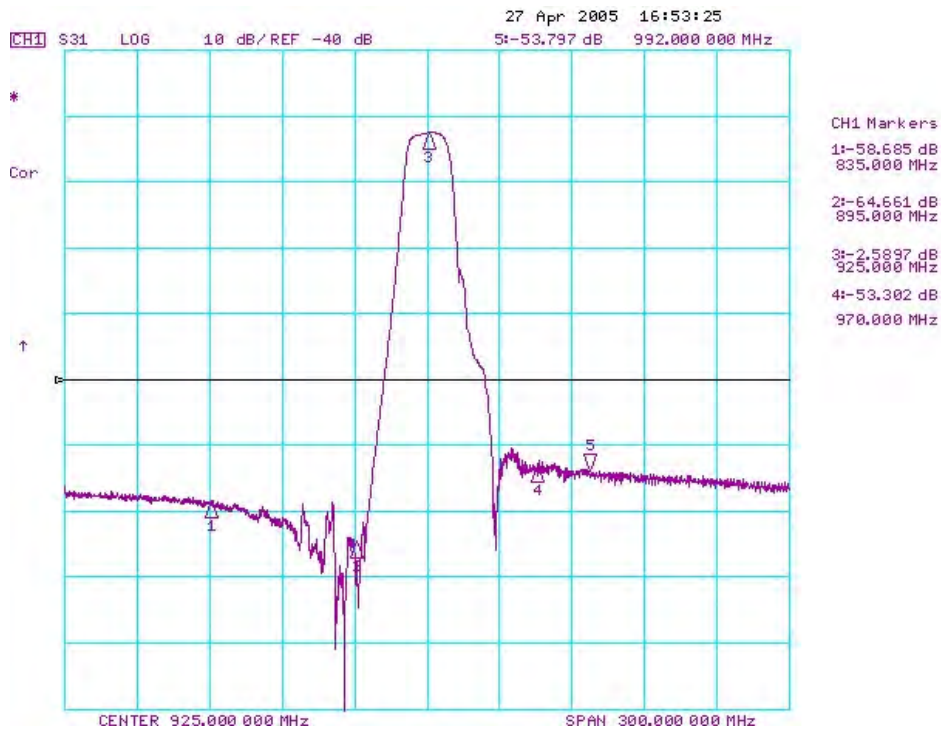
SAW Filter 925.0MHz
Part No: MP01323

Model: TA0463A
REV NO.:1

C. TRANSFER FUNCTION:



Wideband



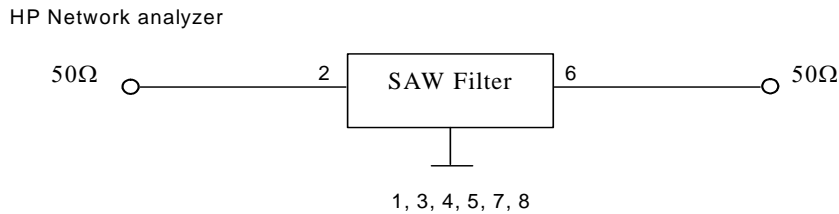
SAW Filter 925.0MHz

Model: TA0463A

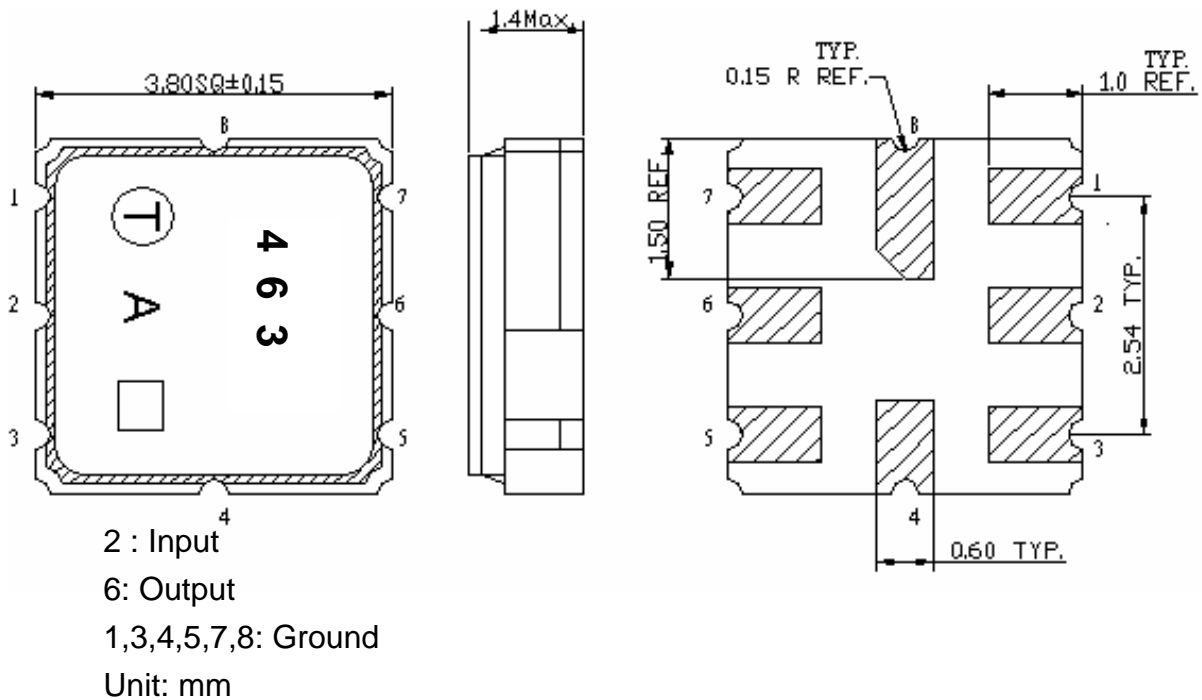
Part No: MP01323

REV NO.:1

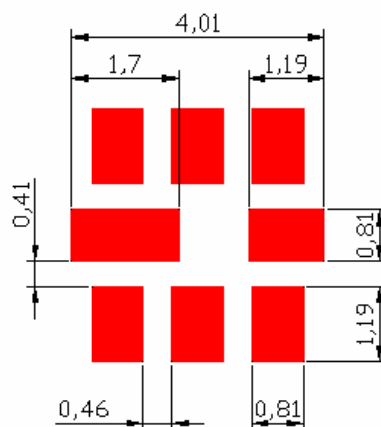
D. MEASUREMENT CIRCUIT:



E. OUTLINE DRAWING:



F. PCB FOOTPRINT:

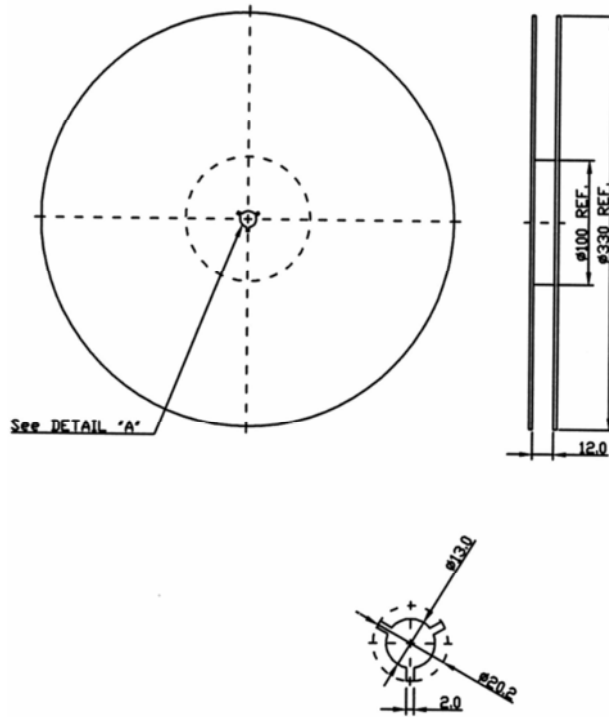


SAW Filter 925.0MHz
Part No: MP01323

Model: TA0463A
REV NO.:1

G. PACKING:

1. REEL DIMENSION



2. TAPE DIMENSION

