

SAW Filter 590MHz
Part No: MP01224

Model: TB0288A
Rev No: 1

A. MAXIMUM RATING:

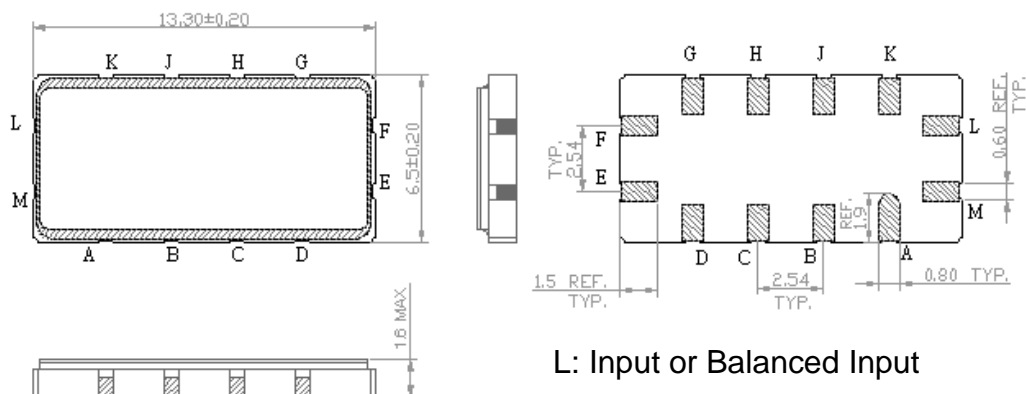
1. Operating Temperature: -40°C ~ +85°C
2. Storage Temperature: -40°C ~ +85°C
3. Input power Level: 10dBm

B. CHARACTERISTICS:

Ambient Temperature: 25°

Item	Unit	Min.	Typ.	Max.	Note
Center frequency Fc	MHz	-	590	-	-
Minimum Insertion Loss, IL	dB	-	11.0	12.0	-
Amplitude ripple within Fc ± 0.12MHz	MHz	-	0.3	1	-
1dB Bandwidth	MHz	0.39	0.77		-
40dB Bandwidth	MHz	-	3.58	4.00	-
Attenuation: (Reference level from Min IL)					
500MHz ~ 587.7MHz	dB	40	55	-	-
592.3MHz ~ 600MHz	dB	40	43	-	-

C. OUTLINE DRAWING:



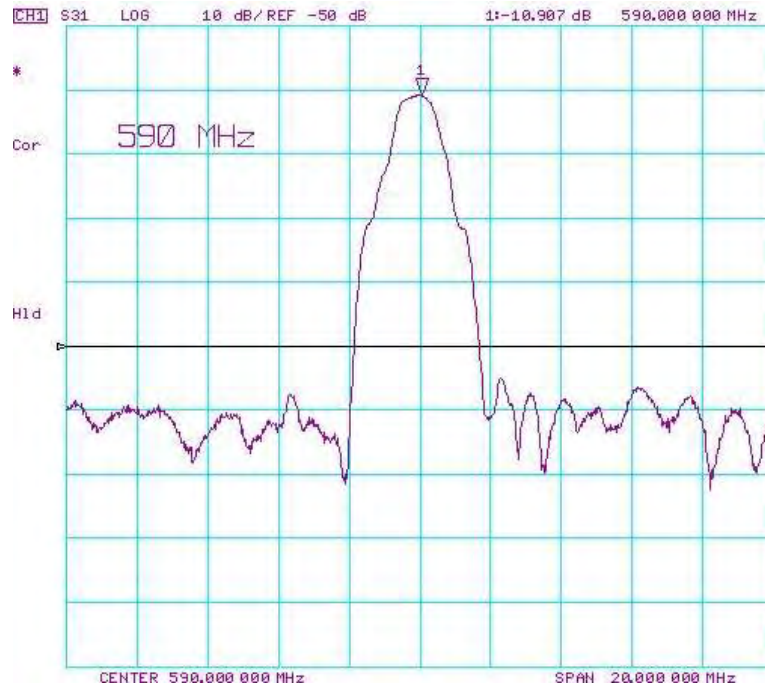
- L: Input or Balanced Input
 - M: Input ground or Balanced Input return
 - E: Output or Balanced Output
 - F: Output ground or Balanced Output return
 - A, B, C, D, G, H, J, K: To be grounded
- Unit: mm

SAW Filter 590MHz
Part No: MP01224

Model: TB0288A
Rev No: 1

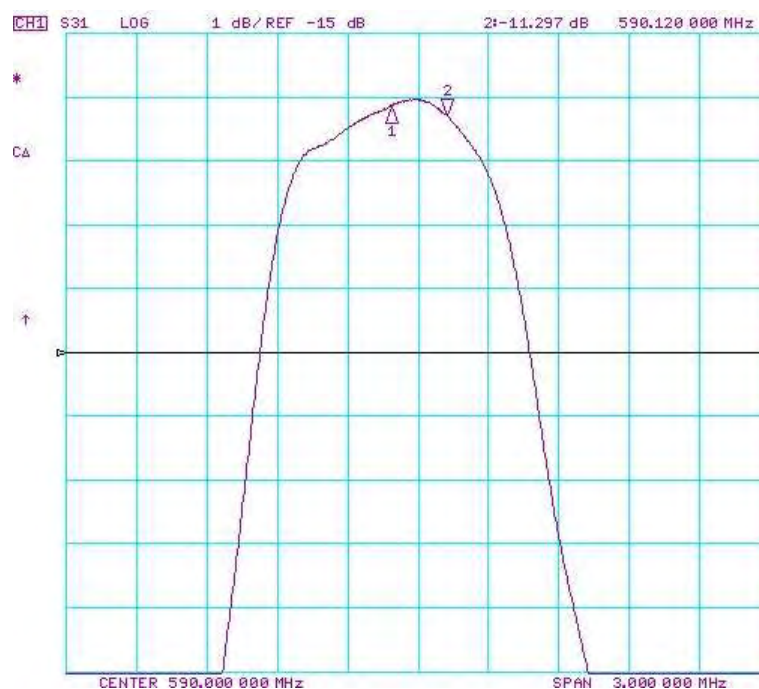
D. FREQUENCY CHARACTERISTICS:

1. S21 Response



Horizontal: 2MHz/Div, Vertical: 10dB/Div

2. Pass band Ripple and Group Delay Ripple

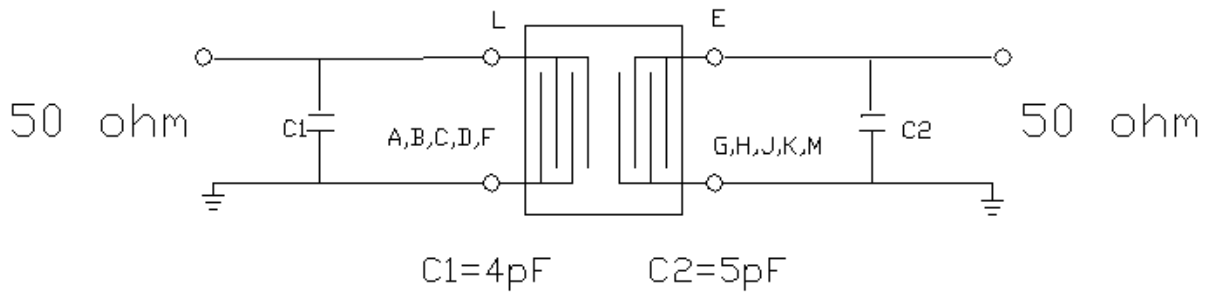


Horizontal: 0.3MHz/Div, Vertical: 1dB/Div

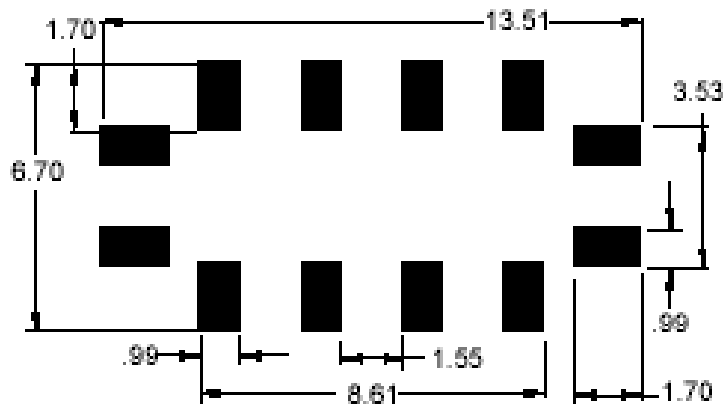
SAW Filter 590MHz
Part No: MP01224

Model: TB0288A
Rev No: 1

E. TEST FIXTURE:



F. PCB FOOTPRINT:

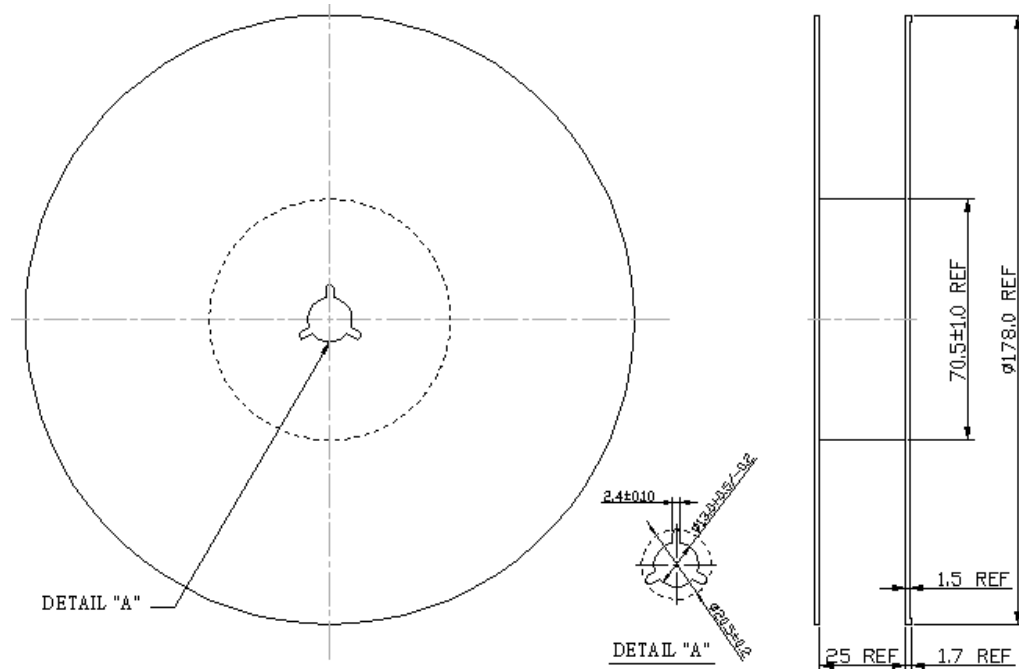


SAW Filter 590MHz
Part No: MP01224

Model: TB0288A
Rev No: 1

G. PACKING:

1. REEL DIMENSION



2. TAPE DIMENSION

