

SAW Filter 312.150MHz
Part No: MP01171

Model: TA0365A
Rev No:1

A. MAXIMUM RATING:

1. Input Power Level: 10dBm
2. DC voltage: 6V
3. Operating Temperature: -40°C to +85°C
4. Storage Temperature: -40°C to +85°C

B. ELECTRICAL CHARACTERISTICS:

TA = -40°C to +85°C

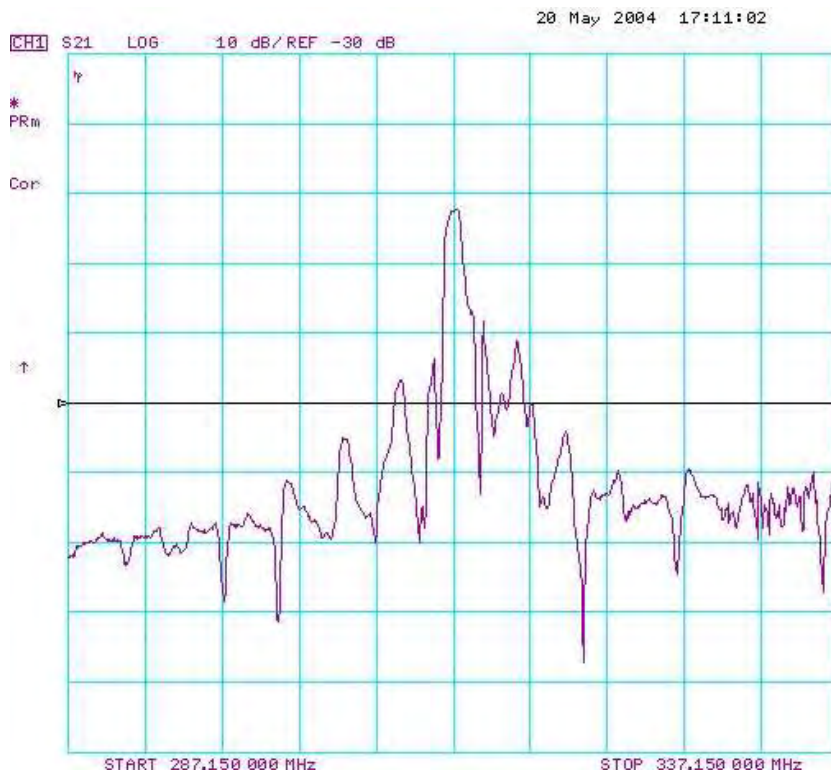
Item	Min.	Typ.	Max.	Note
Center frequency Fc (MHz)	-	312.15	-	1
Minimum IL (311.97 ~ 312.37MHz) (dB) IL min	-	2.4	4.0	
Pass band (relative to IL min)				
311.92 ~ 312.35 MHz (dB)	-	1.5	3.0	1
311.86 ~ 312.41 MHz (dB)	-	2.0	6.0	
Pass bandwidth (relative to IL min) BW3 (kHz)	800	950	-	
Attenuation: (relative to IL min) (dB)				
10 ~ 270MHz (dB)	45	50	-	
270 ~ 306MHz (dB)	30	35	-	1
306 ~ 311.09MHz (dB)	15	20	-	
313.2 ~ 332MHz (dB)	10	15	-	
332 ~ 400MHz (dB)	35	40	-	
400 ~ 1000 MHz (dB)	45	50	-	
Impedance at Fc; Input $Z_{IN} = R_{IN} // C_{IN}$	362Ω // 5.1pF			
Output $Z_{OUT} = R_{OUT} // C_{OUT}$	362Ω // 5.1 pF			

Note 1: The standard definitions is in JIS C 6703

SAW Filter 312.150MHz
Part No: MP01171

Model: TA0365A
Rev No:1

C.FREQUENCY CHARACTERISTICS:

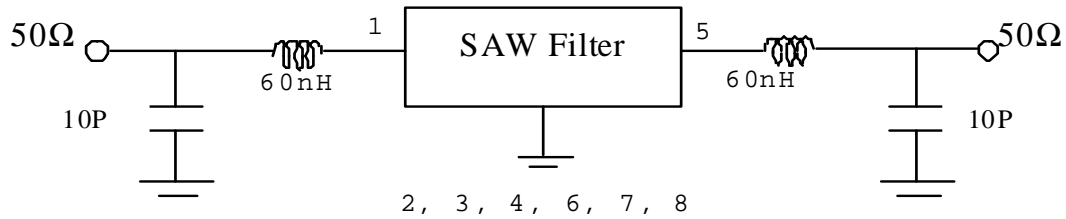


SAW Filter 312.150MHz
Part No: MP01171

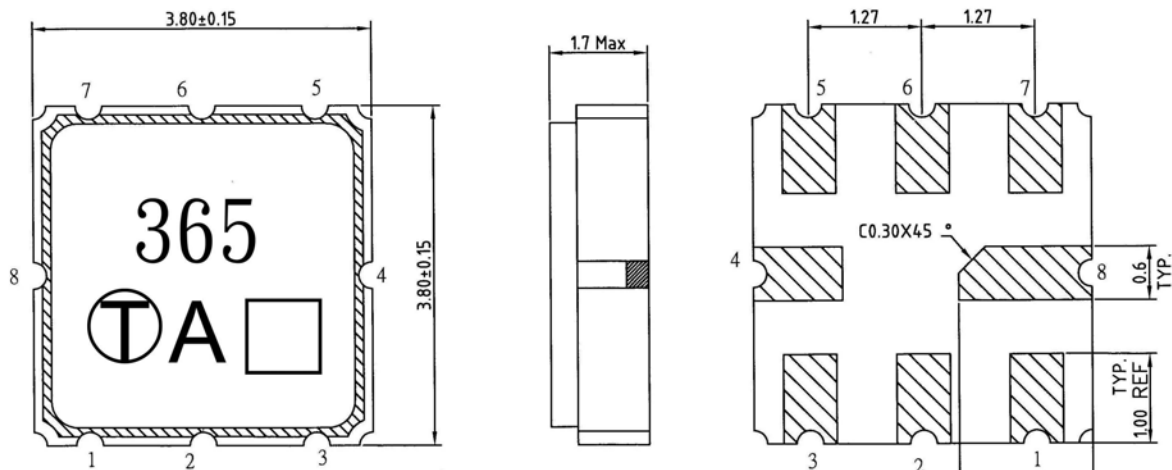
Model: TA0365A
Rev No:1

D. MEASUREMENT CIRCUIT:

HP Network analyzer



E. OUTLINE DRAWING:



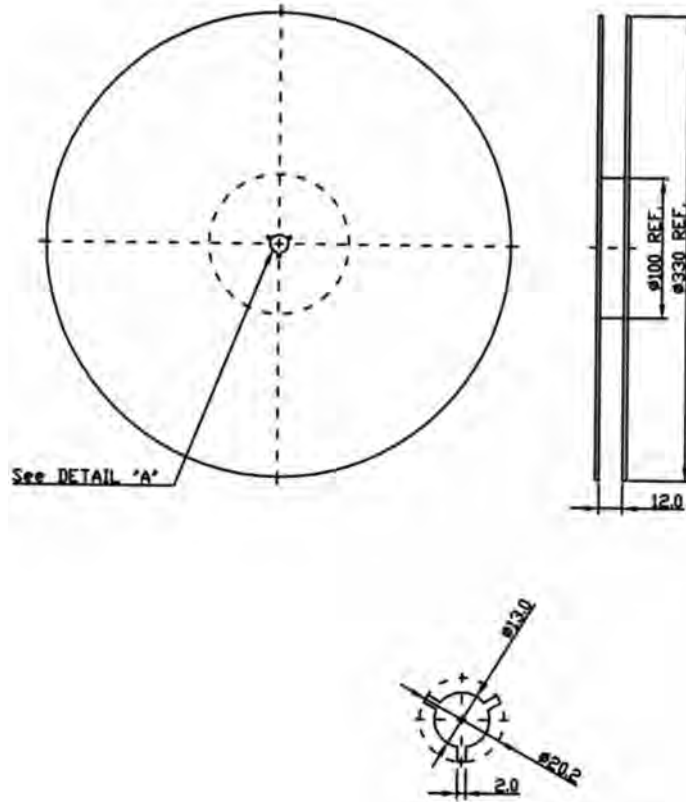
- #1 : Input or Input Ground
 - #2 : Input Ground or Input
 - #5 : Output
 - #6 : Output Ground
 - #4、8 : Case Ground
 - #3、7 : Ground
 - : Date code
- Unit : mm

SAW Filter 312.150MHz
Part No: MP01171

Model: TA0365A
Rev No:1

F. PACKING:

1. REEL DIMENSION



2. TAPE DIMENSION

