

SAW Filter 947.5MHz
Part No: MA09934

Model: TA0748A
Rev No: 2

A. MAXIMUM RATING:

1. Input Power Level: +20dBm
2. DC voltage: 5V
3. Operating Temperature: -30°C ~ +85°C
4. Storage Temperature: -40°C ~ +85°C

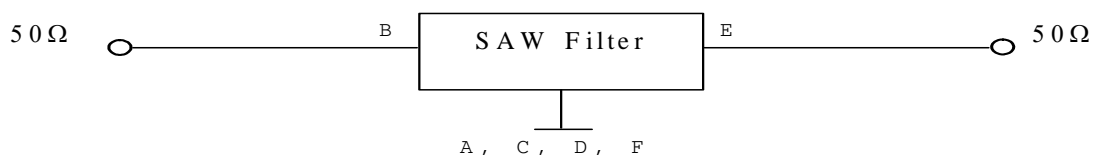
B. ELECTRICAL CHARACTERISTICS:

Characteristics	Min.	Typ.	Max.	Note
Center frequency Fc MHz	-	947.5	-	-
Insertion loss (935 ~ 960MHz) IL dB	-	2.7	3.5	-
VSWR (935 ~ 960MHz) dB	-	1.6	2.3	-
Ripple (935 ~ 960MHz) dB	-	0.6	1.4	-
Attenuation: (Reference level from 0dB)				
DC ~ 871MHz dB	50	62.1	-	-
890 ~ 915MHz dB	30	43.9	-	-
980 ~ 1025MHz dB	25	28.6	-	-
1025 ~ 2000MHz dB	45	54.1	-	-
2000 ~ 3000MHz dB	20	26.8	-	-
Impedance at Fc				
Input $Z_{IN} = R_{IN} // C_{IN}$	50Ω // 0pF			
Output $Z_{OUT} = R_{OUT} // C_{OUT}$	50Ω // 0pF			

Note: No matching network required for operation at 50Ω

C. MEASUREMENT CIRCUIT:

HP Network analyzer

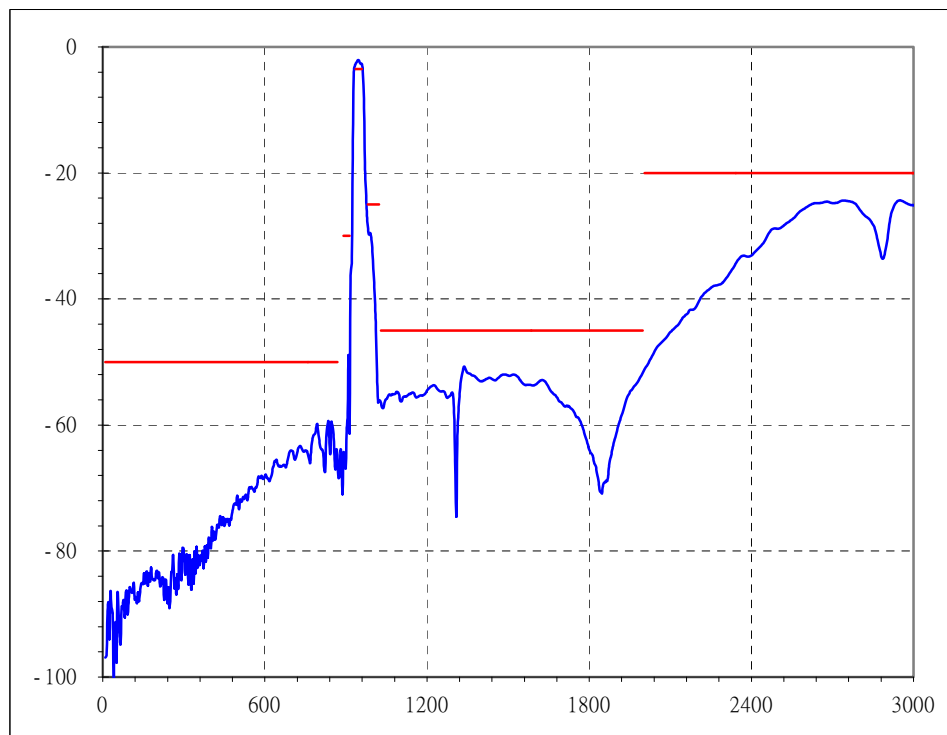
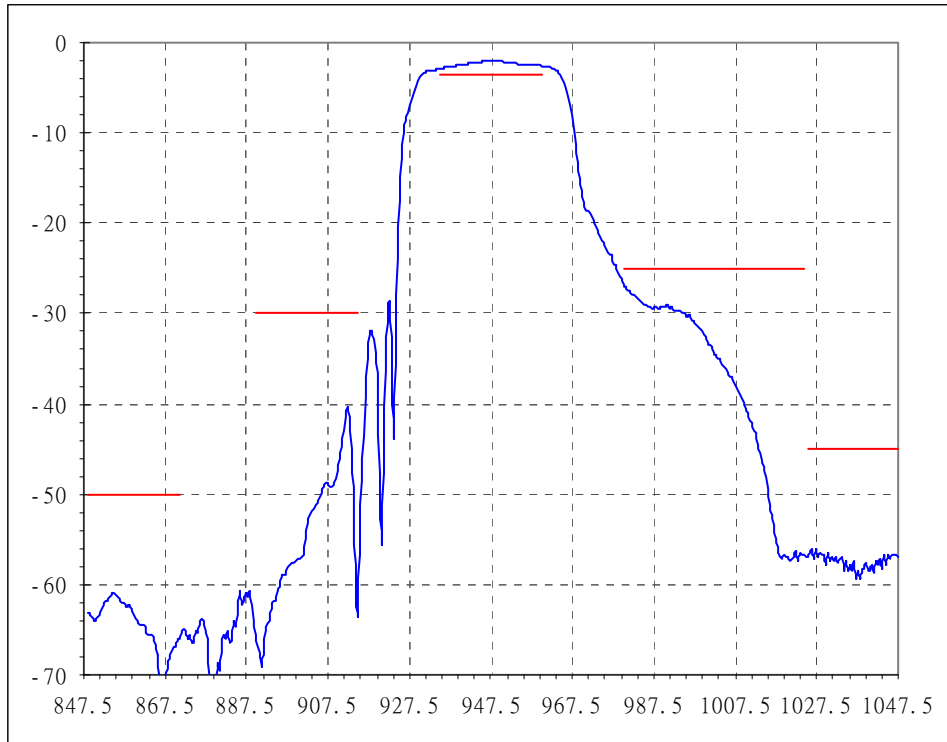


SAW Filter 947.5MHz
Part No: MA09934

Model: TA0748A
Rev No: 2

D. FREQUENCY CHARACTERISTICS:

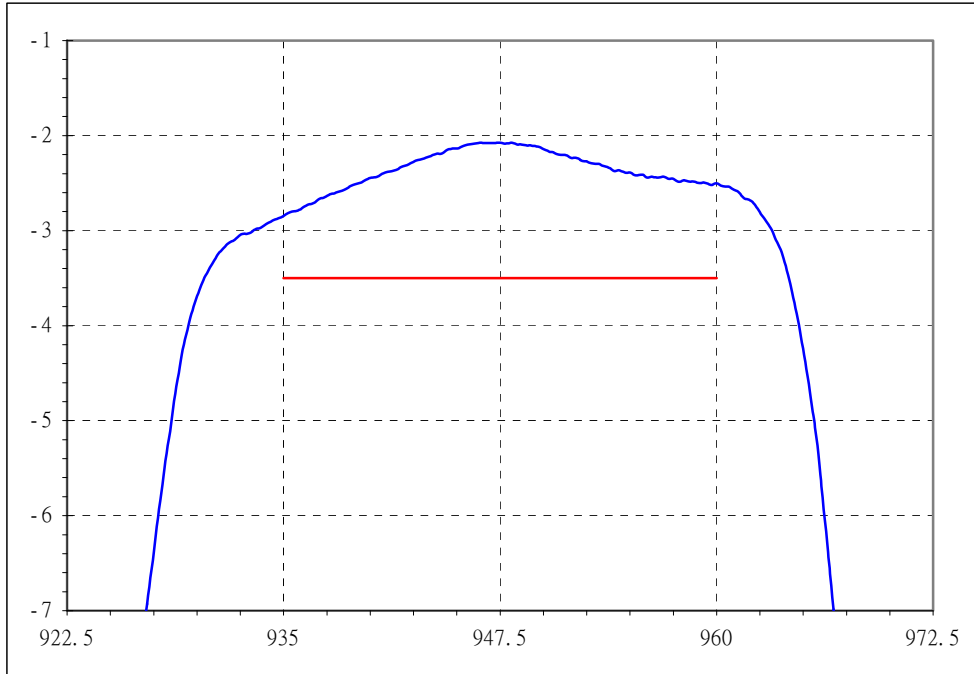
1. Wideband response:



SAW Filter 947.5MHz
Part No: MA09934

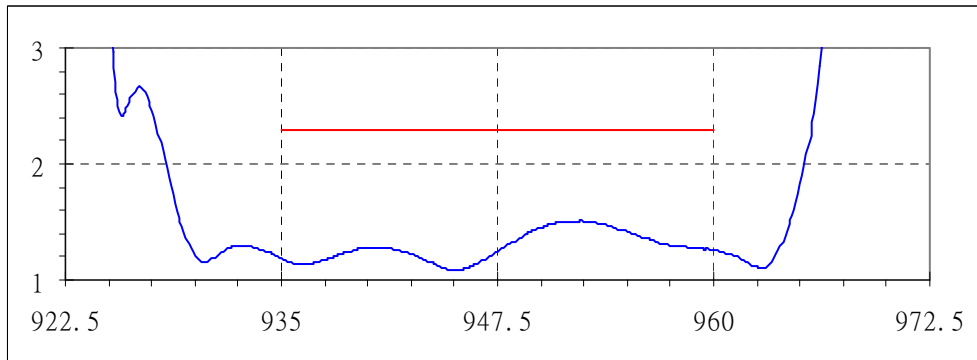
Model: TA0748A
Rev No: 2

2. Passband response:

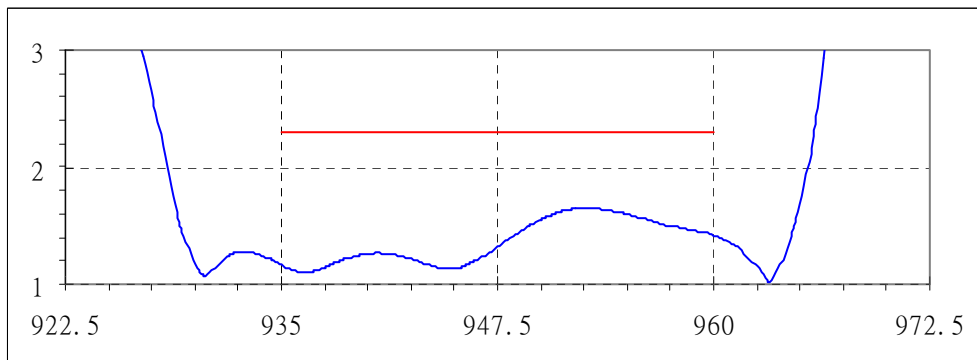


3. VSRW:

S11



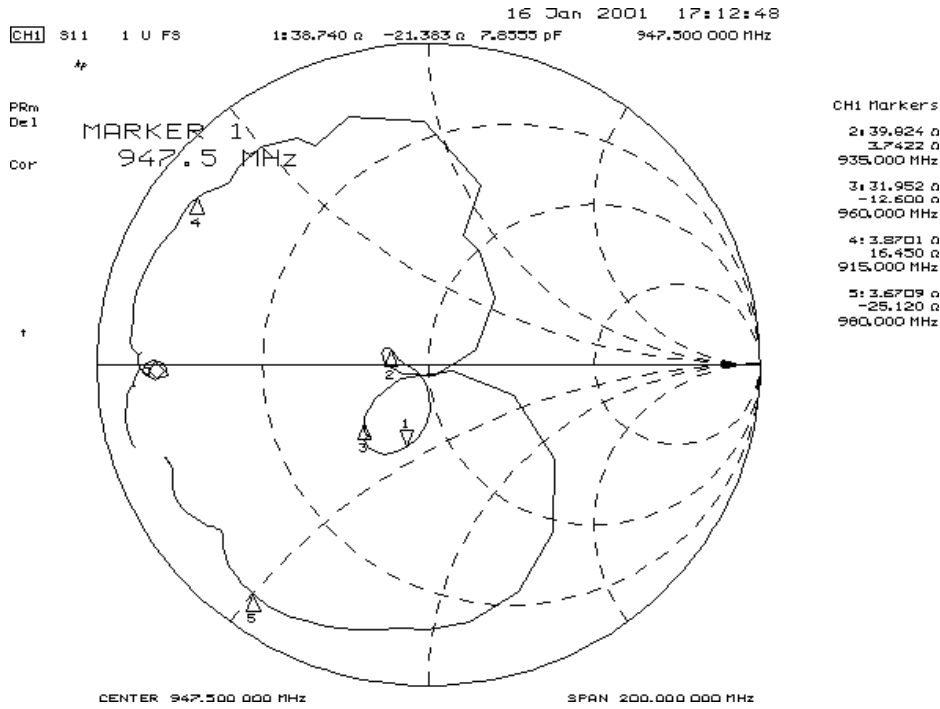
S22



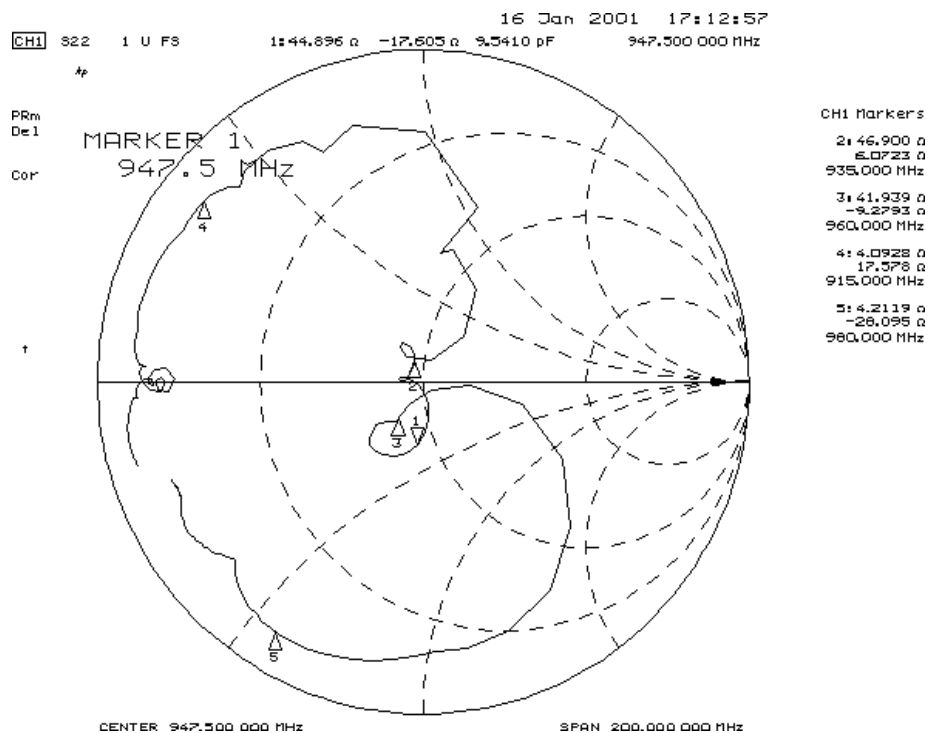
SAW Filter 947.5MHz
Part No: MA09934

Model: TA0748A
Rev No: 2

4. Smith chart of S11



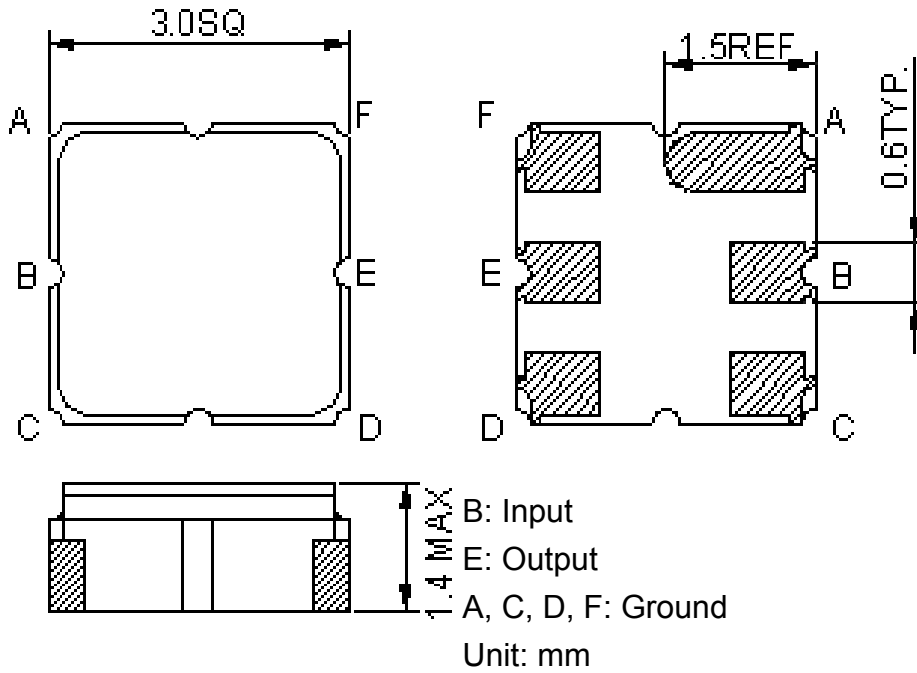
5. Smith chart of S22



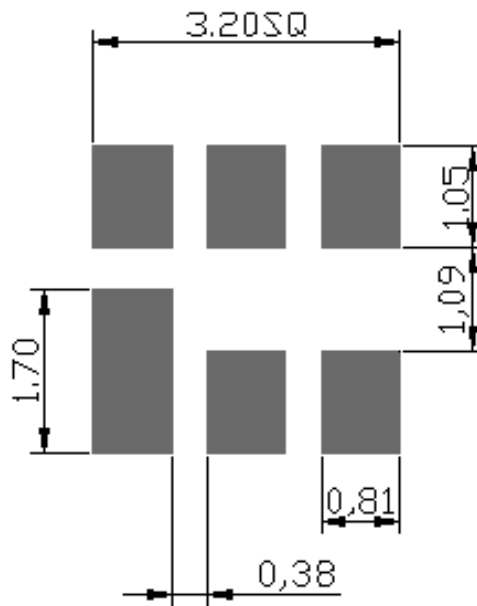
SAW Filter 947.5MHz
Part No: MA09934

Model: TA0748A
Rev No: 2

E. OUTLINE DRAWING:



F. PCB FOOTPRINT:

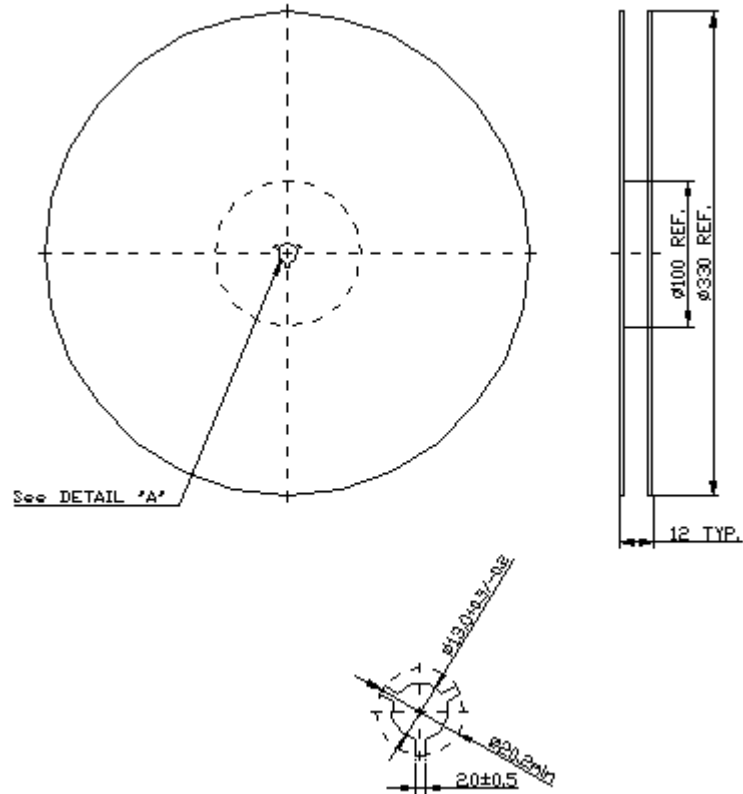


SAW Filter 947.5MHz
Part No: MA09934

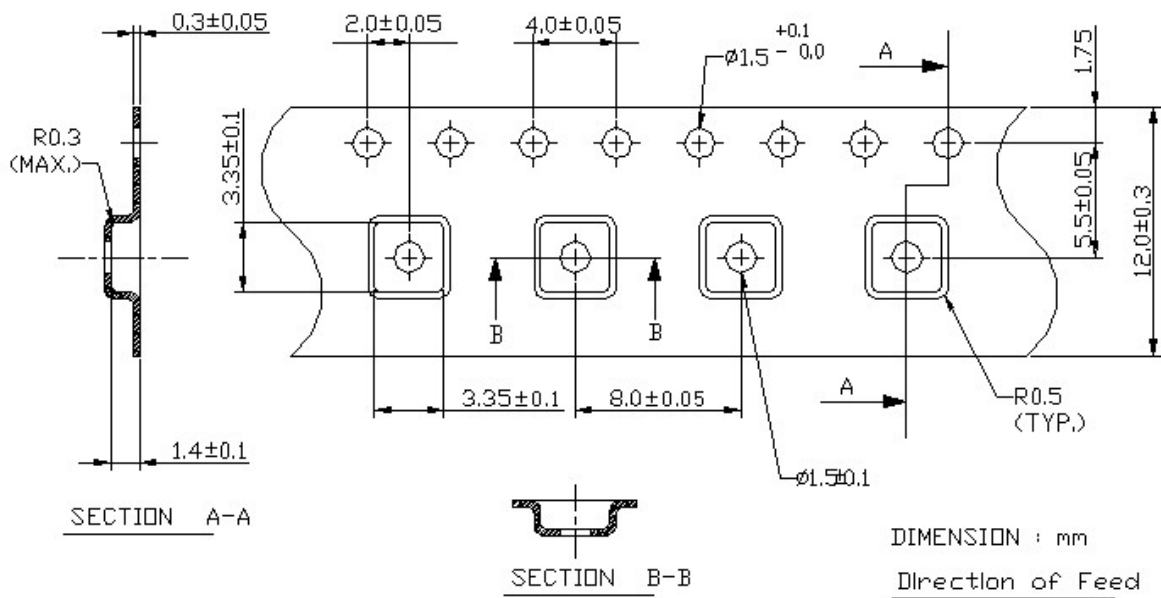
Model: TA0748A
Rev No: 2

G. PACKING:

1. Reel Dimension (Reel Count: 7" = 1000; 13" = 3000)



2. Tape Dimension



SAW Filter 947.5MHz
Part No: MA09934

Model: TA0748A
Rev No: 2

H. RECOMMENDED REFLOW PROFILE:

