

SAW Filter 1720.0MHz
Part No: MA09657

Model: TA0682A
Rev. No: 1

A. MAXIMUM RATING:

1. Input Power Level: 15dBm
2. DC Voltage: 3V
3. Operating Temperature: -40°C to +85°C
4. Storage Temperature: -50°C to +95°C

B. ELECTRICAL CHARACTERISTICS:

Item	Unit	Min.	Typ.	Max.	Note
Center Frequency Fc	MHz	-	1720	-	-
Insertion Loss (1708 ~ 1732MHz) IL	dB	-	1.7	3	-
Amplitude Ripple (1708 ~ 1732MHz)	dB	-	0.6	2	-
Return Loss (1708 ~ 1732MHz)		8	20	-	-
Group Delay Ripple (1708 ~ 1732MHz)	ns	-	5	20	-
Attenuation (Reference level from 0dB)					
1220 ~ 1650MHz	dB	20	31	-	-
1650 ~ 1670MHz	dB	10	25	-	-
1780 ~ 1790MHz	dB	10	48	-	-
1790 ~ 2220MHz	dB	20	36	-	-

SAW Filter 1720.0MHz

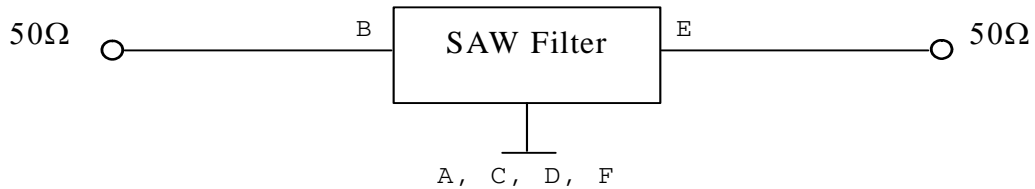
Model: TA0682A

Part No: MA09657

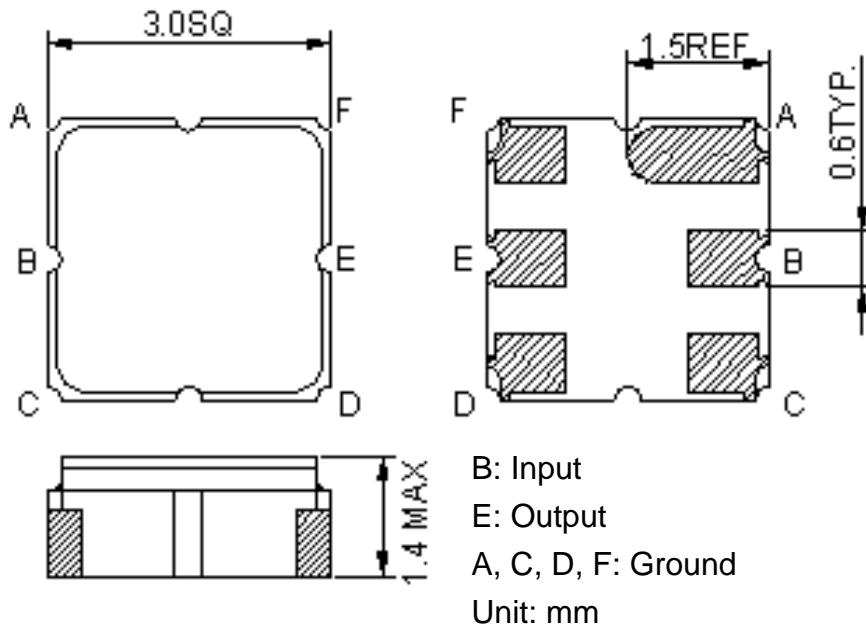
Rev. No: 1

C. MEASUREMENT CIRCUIT:

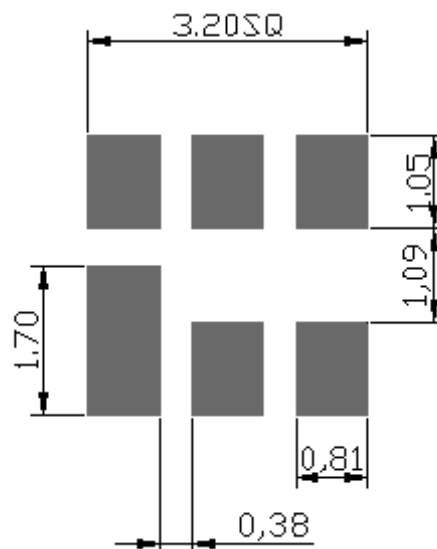
HP Network analyzer



D. OUTLINE DRAWING:



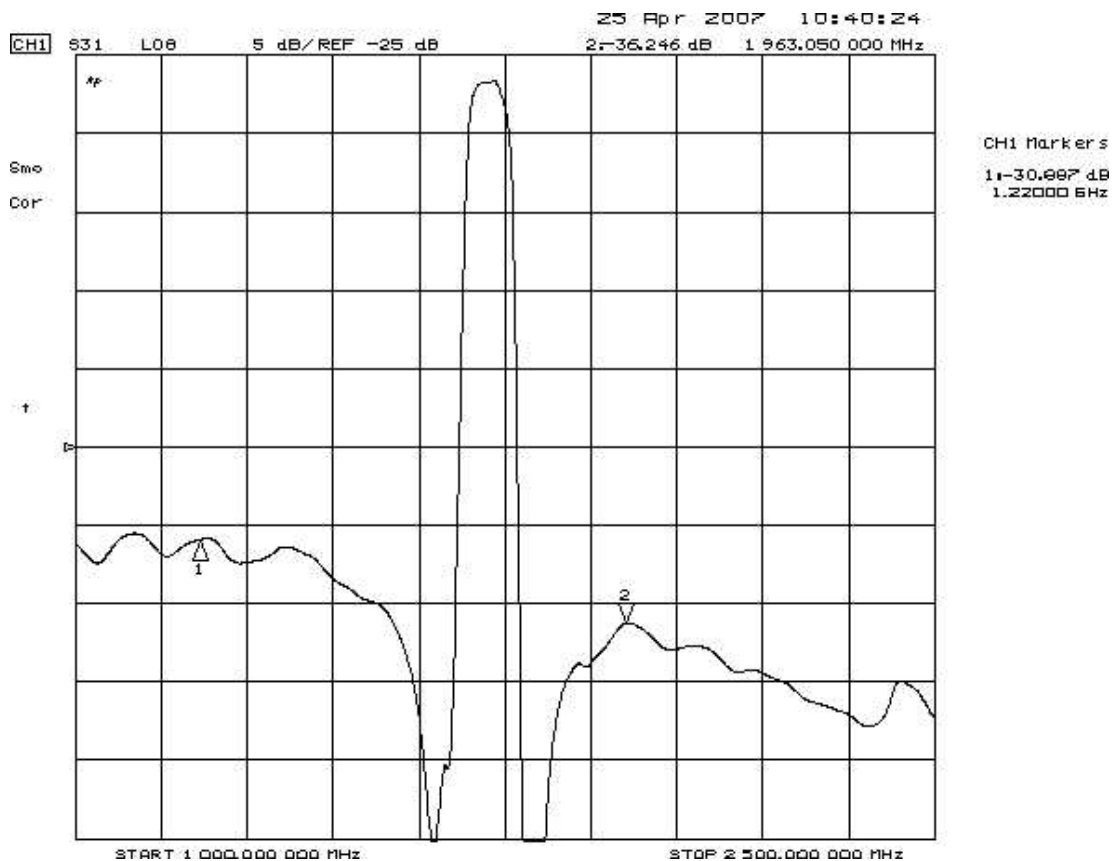
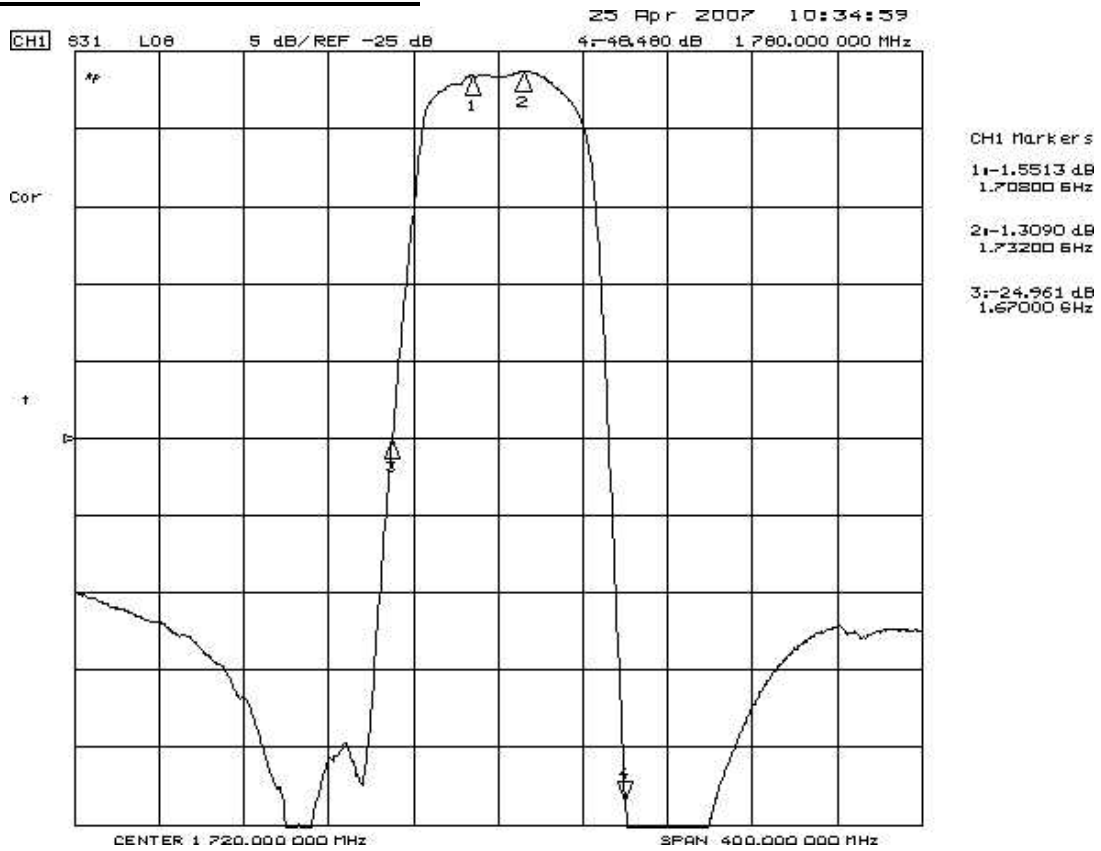
E. PCB FOOTPRINT:



SAW Filter 1720.0MHz
Part No: MA09657

Model: TA0682A
Rev. No: 1

F. FREQUENCY CHARACTERISTICS:

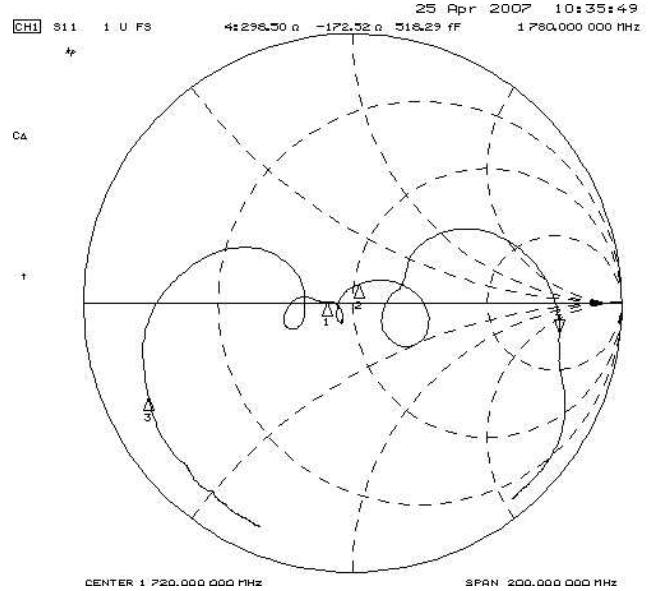
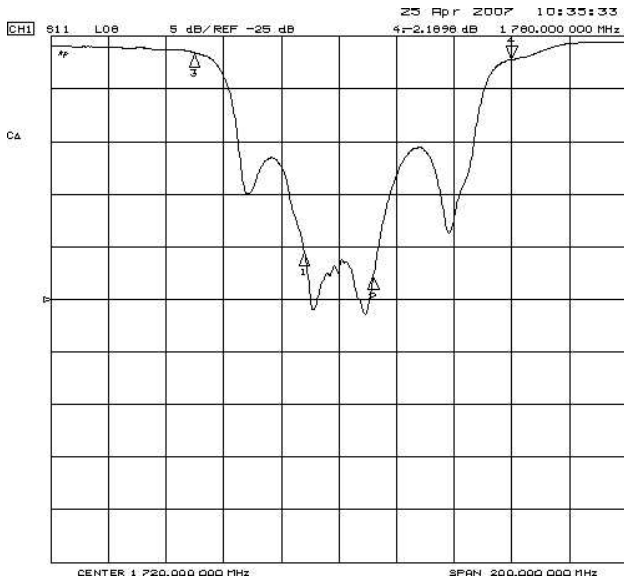


SAW Filter 1720.0MHz
Part No: MA09657

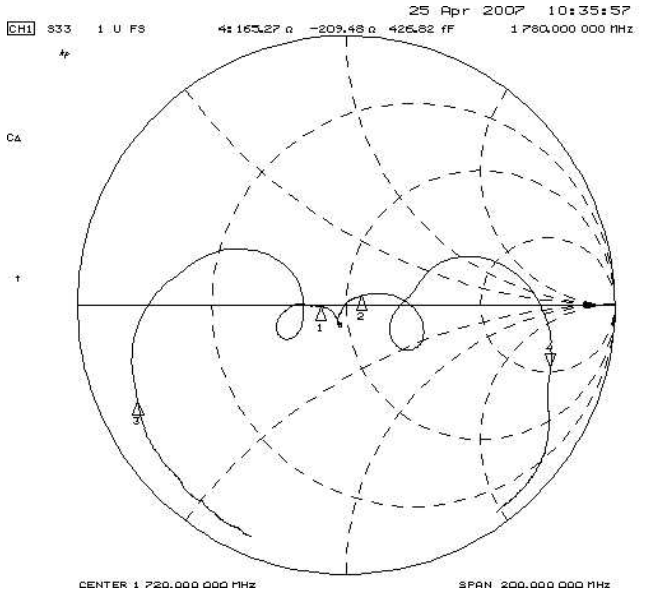
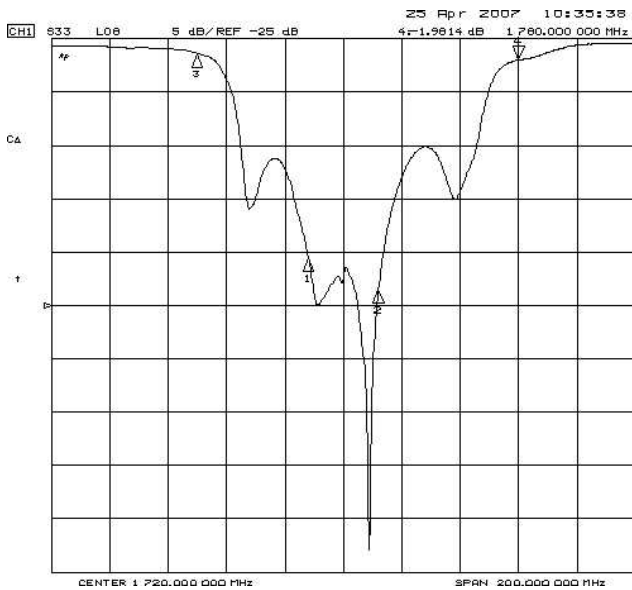
Model: TA0682A
Rev. No: 1

1. Reflection Functions

S11



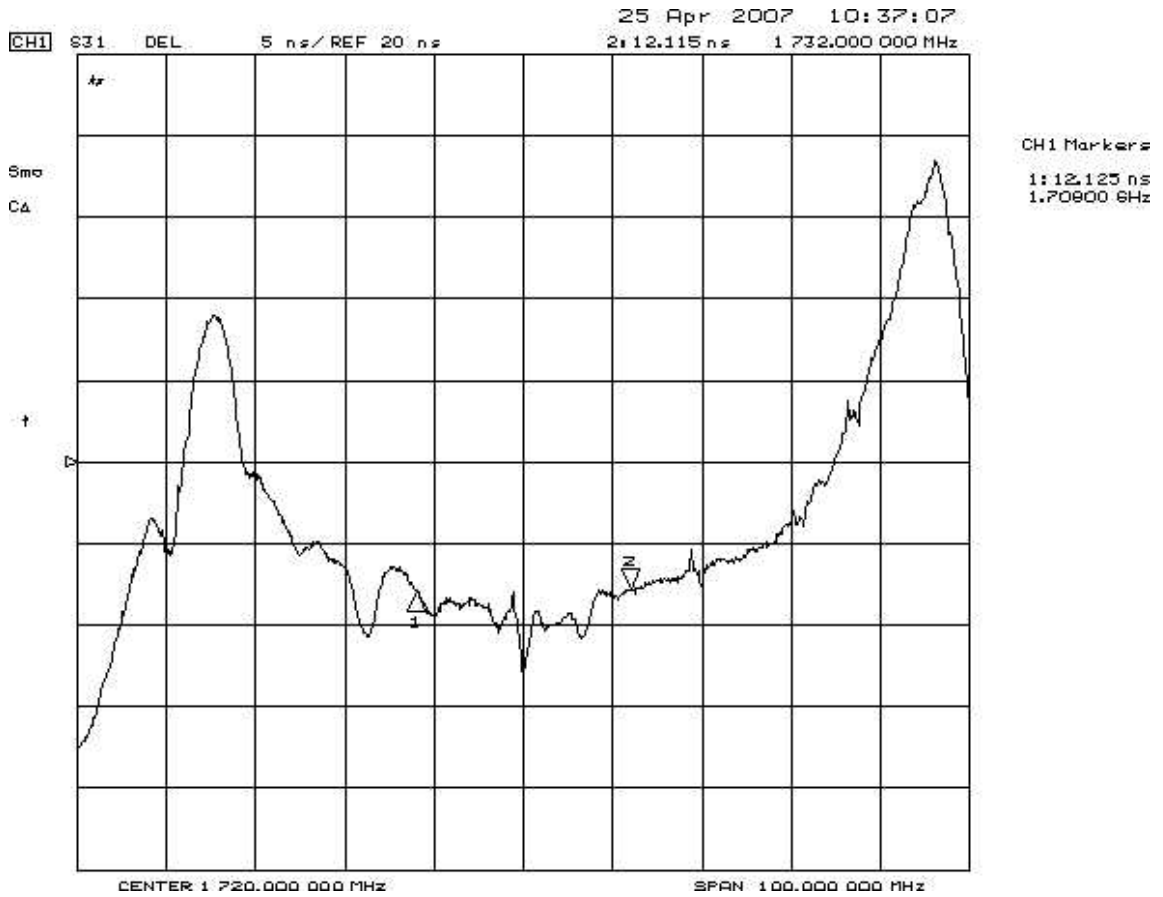
S22



SAW Filter 1720.0MHz
Part No: MA09657

Model: TA0682A
Rev. No: 1

2. Group Delay



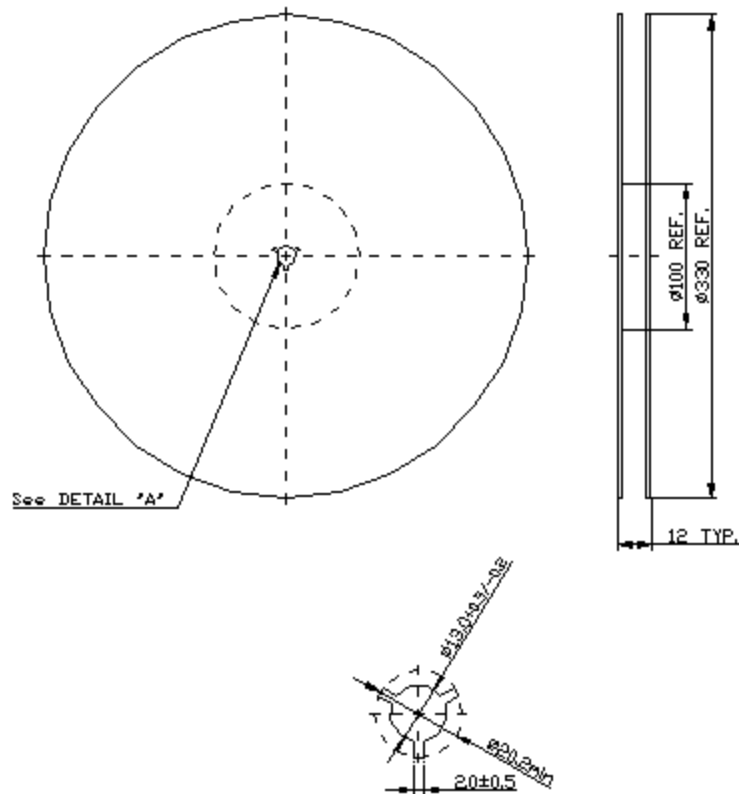
SAW Filter 1720.0MHz
Part No: MA09657

Model: TA0682A
Rev. No: 1

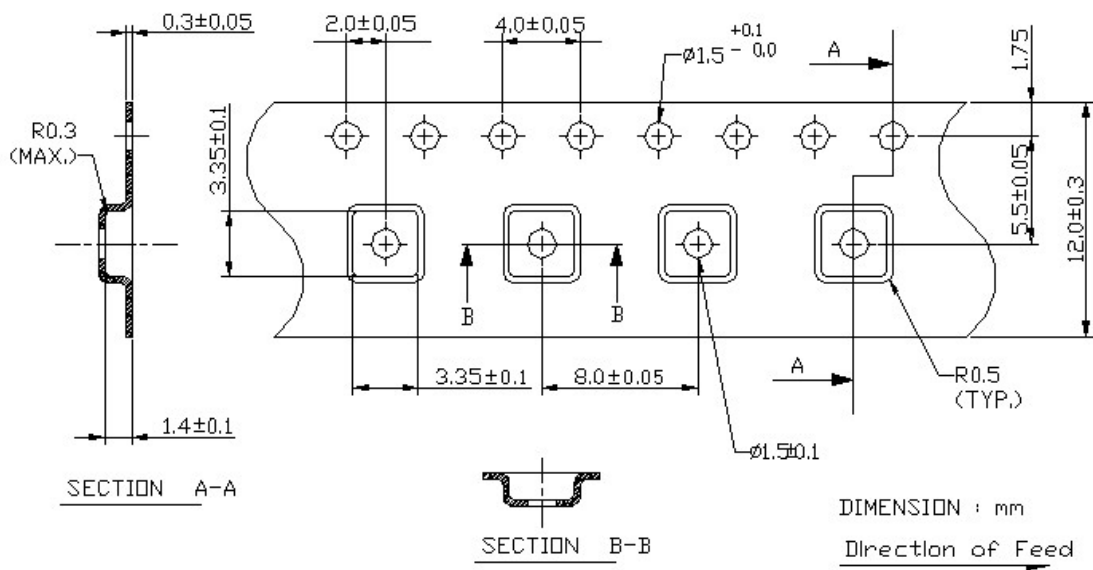
G. PACKING:

1. Reel Dimension

(Reel Count: 7" = 1000; 13" = 3000)



2. Tape Dimension



SAW Filter 1720.0MHz
Part No: MA09657

Model: TA0682A
Rev. No: 1

H. RECOMMENDED REFLOW PROFILE:

