

SAW Filter 441.265MHz

Model: TA0594A

Part No: MA08363

REV NO.: 1

A. MAXIMUM RATING:

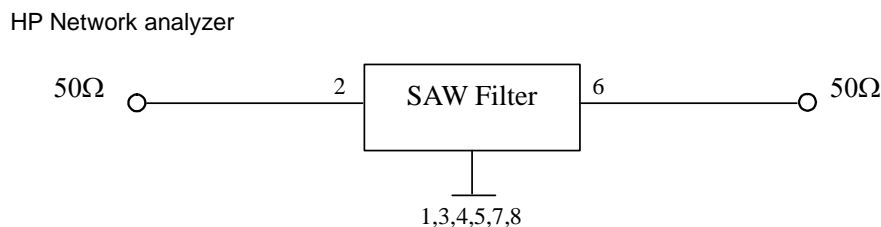
1. Input Power Level: 10 dBm
2. DC voltage: 3 V
3. Operating Temperature: +15°C to +35°C
4. Storage Temperature: -40°C to +85°C

B. CHARACTERISTICS:

Item		Min.	Typical	Max.
Center frequency	F _c MHz	-	441.265	-
Insertion loss	438.765 ~ 443.765 MHz IL	-	2.2	3.6
Amplitude ripple	438.765 ~ 443.765 MHz	-	0.7	2.1
VSWR	438.765 ~ 443.765 MHz	-	1.45	2.1
Attenuation (Reference level from 0 dB)				
	1 ~ 385.0 MHz	40	50	-
	385.0 ~ 394.0 MHz	31	50	-
	394.0 ~ 429.0 MHz	10	35	-
	482.0 ~ 500.0 MHz	37	50	-
	500.0 ~ 550.0 MHz	40	50	-
	Temperature coefficient of frequency	-	-36	-
Source impedance	Z _s	Ω	50	-
Load impedance	Z _L	Ω	50	-

Note1. No matching network required for operation at 50Ω

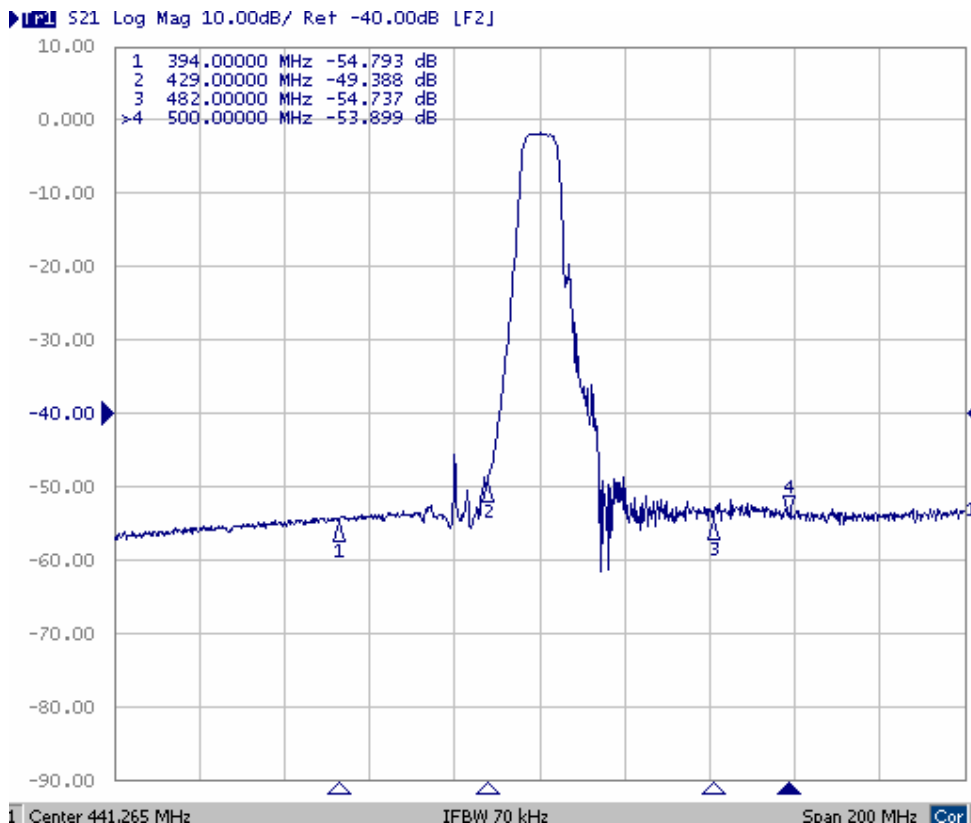
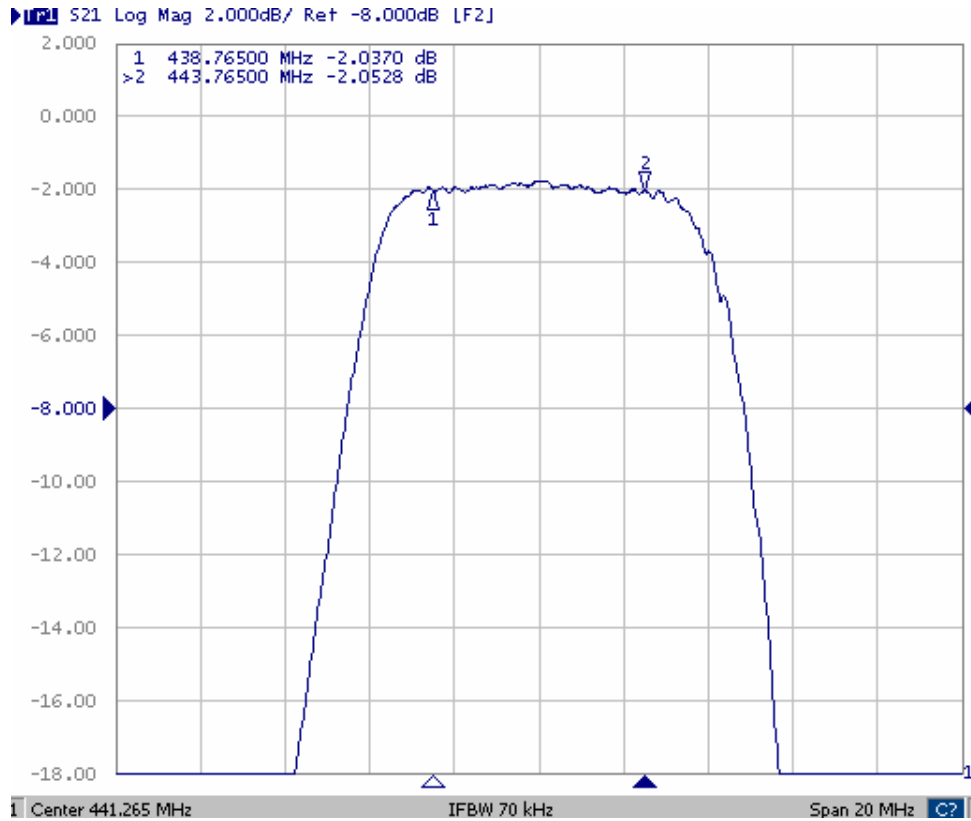
C. MEASUREMENT CIRCUIT:



SAW Filter 441.265MHz
Part No: MA08363

Model: TA0594A
REV NO.: 1

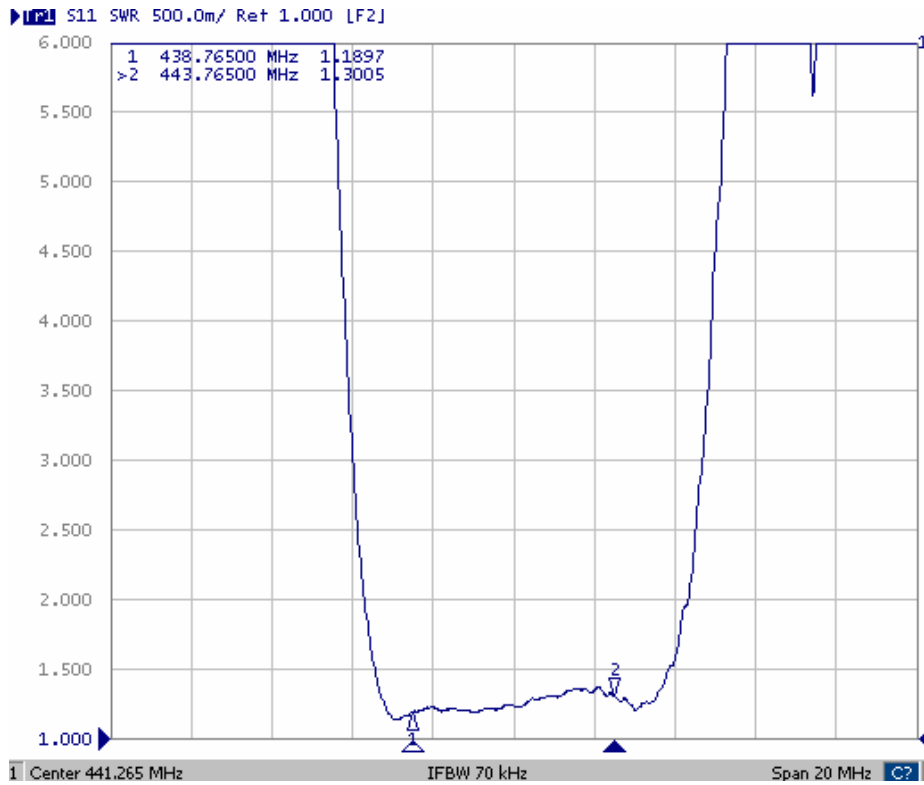
D. TRANSFER FUNCTION:



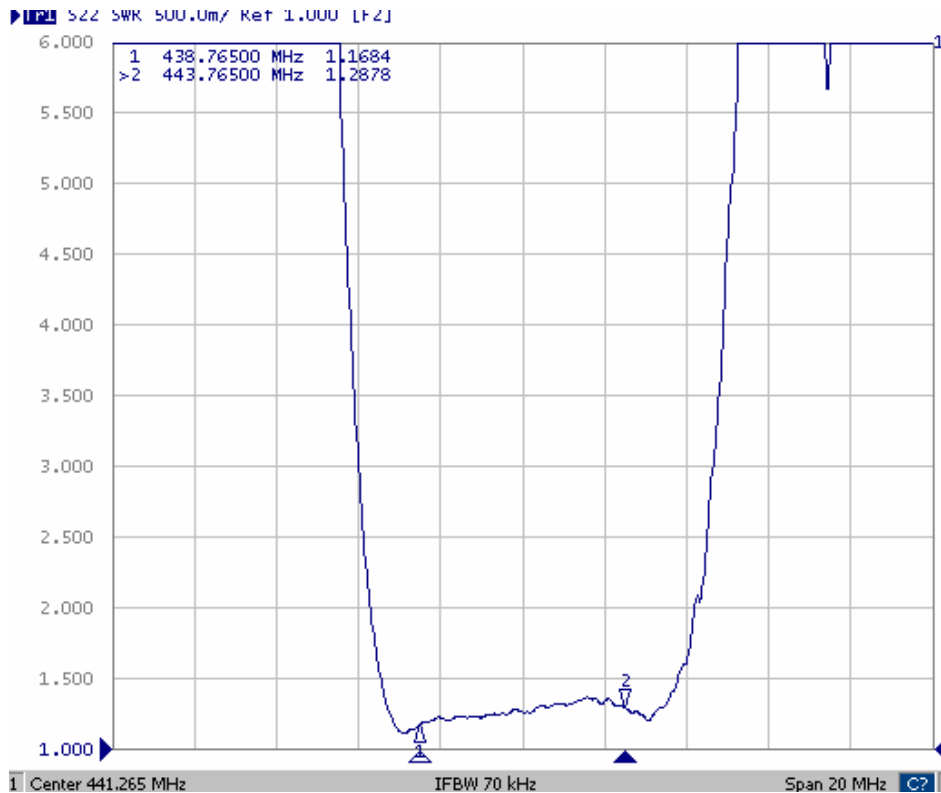
SAW Filter 441.265MHz
Part No: MA08363

Model: TA0594A
REV NO.: 1

VSWR S11



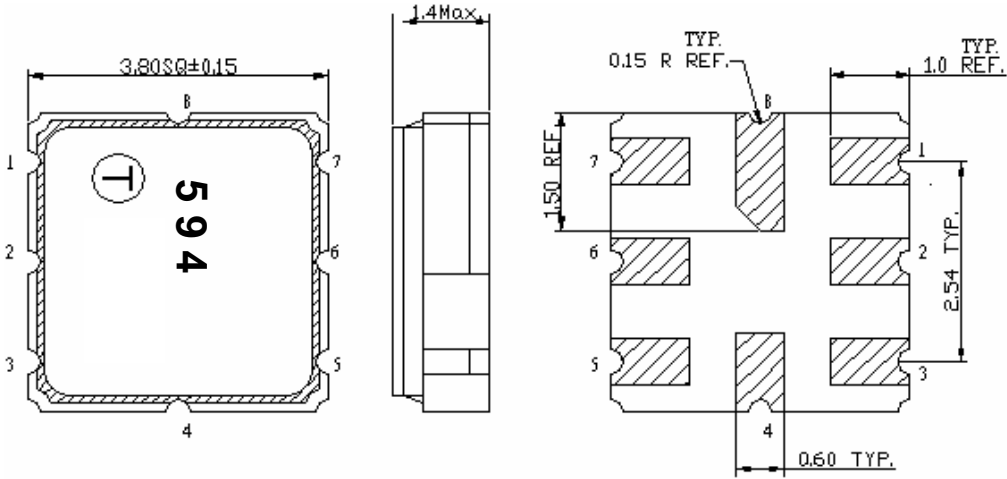
VSWR S22



SAW Filter 441.265MHz
Part No: MA08363

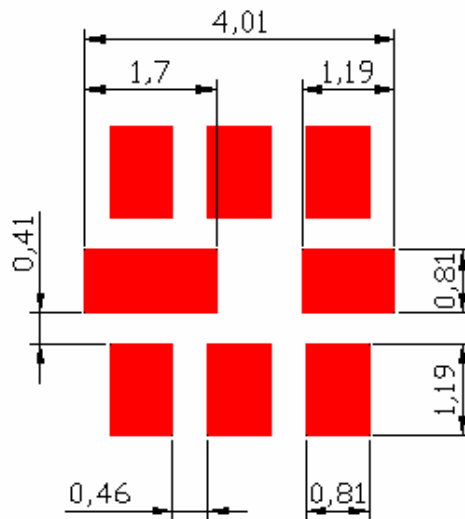
Model: TA0594A
REV NO.: 1

E. OUTLINE DRAWING:



2 : Input
 6: Output
 1,3,4,5,7,8 Ground
 Unit: mm

F. PCB FOOTPRINT:

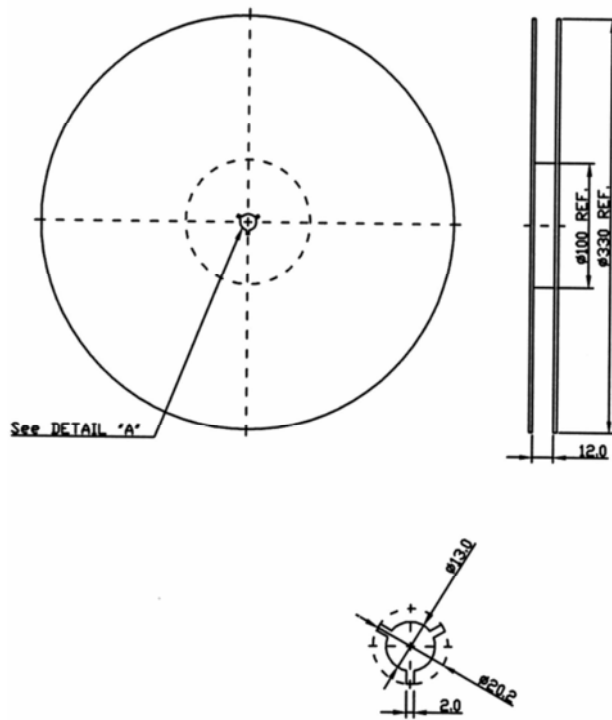


SAW Filter 441.265MHz
Part No: MA08363

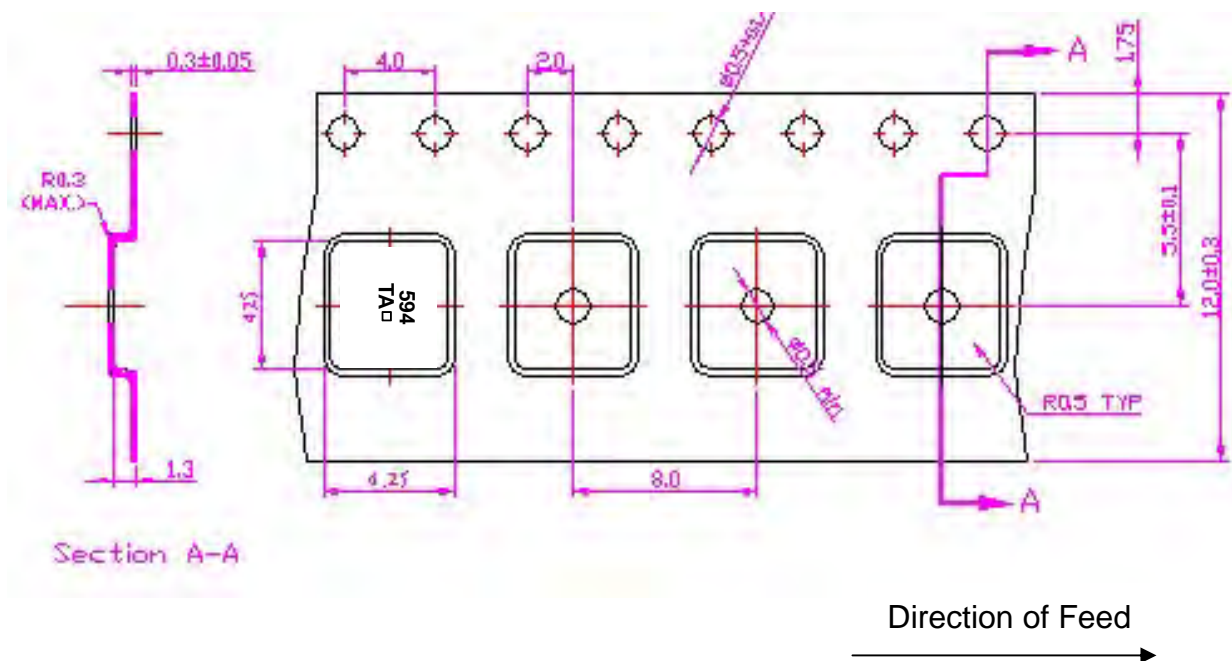
Model: TA0594A
REV NO.: 1

G. PACKING:

1. REEL DIMENSION



2. TAPE DIMENSION



SAW Filter 441.265MHz
Part No: MA08363

Model: TA0594A
REV NO.: 1

H. REFLOW PROFILE

