

SAW Resonator 669.5570MHz

Model: TC0224A

Part No: **MA08251**

REV. NO.: 1

A. FEATURES:

- 1-Port Resonator.

B. MAXIMUM RATING:

1. Input Power Level: 0 dBm
2. DC voltage: 12 V
3. Operating Temperature: -40°C to +85°C
4. Storage Temperature: -40°C to +85°C

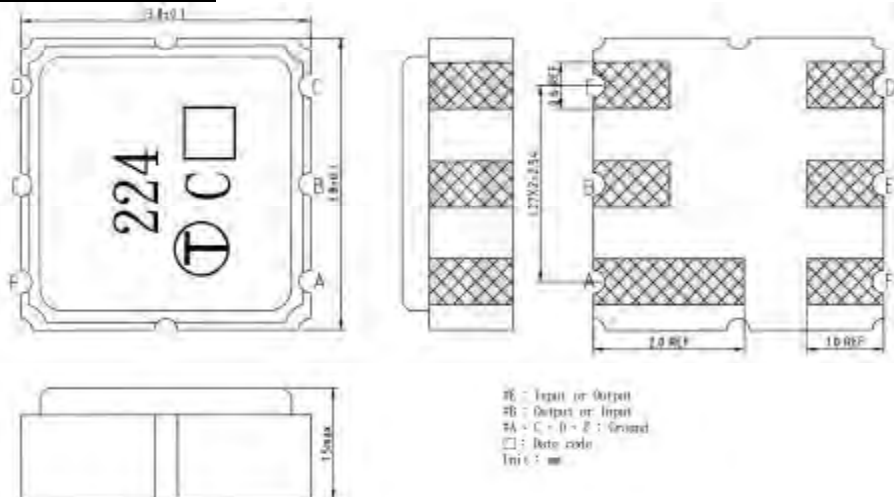
C. ELECTRICAL CHARACTERISTICS:

Reference Temperature $T_A=25^\circ\text{C}$

Characteristic	Units	Minimum	Typical	Maximum
Center frequency f_c	MHz	669.527	669.557	669.587
Insertion Loss IL	dB	-	1.3	2.0
Unload quality factor Q_U		6000	7000	-
Ageing of f_c	ppm/yr	-	-	± 10
Motional capacitance C_1	fF	-	1.69	-
Motional inductance L_1	μH	-	33.5	-
Motional resistance R_1	Ohm	-	19.9	-
Parallel capacitance C_0	pF	-	2.92	-
Frequency Temperature coefficient (TC_f)	ppm/c*2	-	0.032	-
Turnover T_o	$^\circ\text{C}$	10	25	40
Package size	SMD 3.8X3.8X1.2mm			

Temperature dependence of f_c : $f_c(T_A)=f_c(T_O)(1+TC_f(T_A-T_O)^2)$

D. OUTLINE DRAWING:



SAW Resonator 669.5570MHz

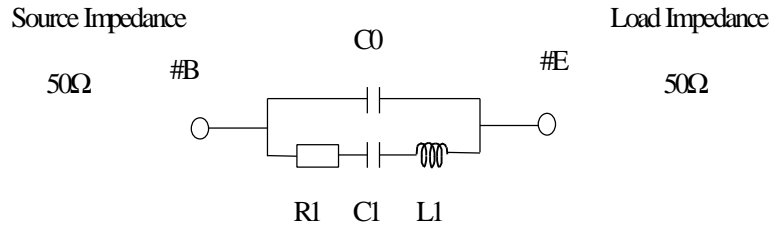
Model: TC0224A

Part No: **MA08251**

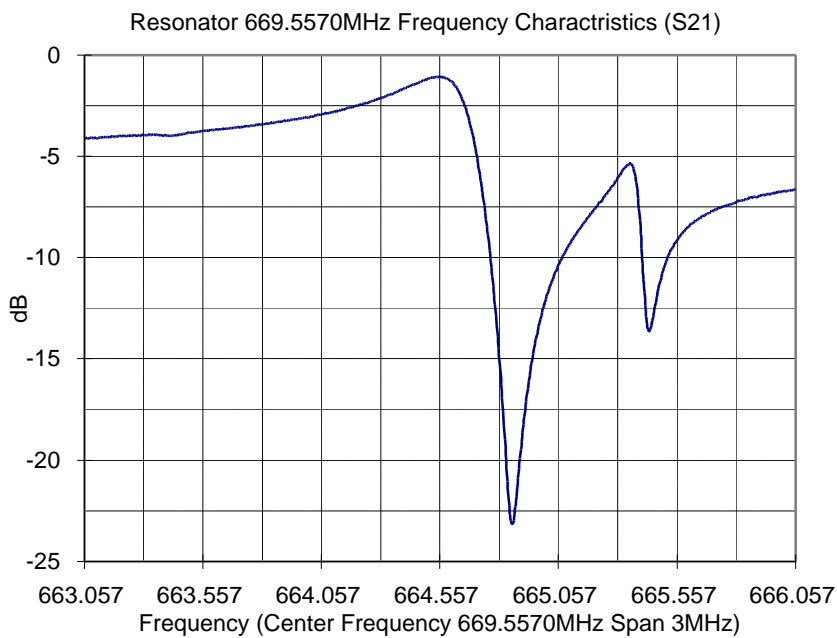
REV. NO.: 1

E. EQUIVALENT CIRCUIT:

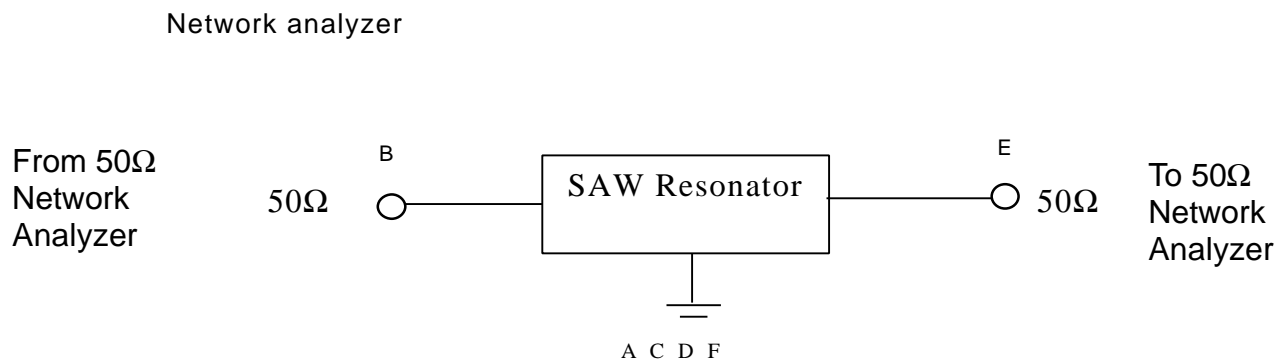
One-Port Resonator:



F. FREQUENCY CHARACTERISTICS:



G. TEST CIRCUIT:



SAW Resonator 669.5570MHz

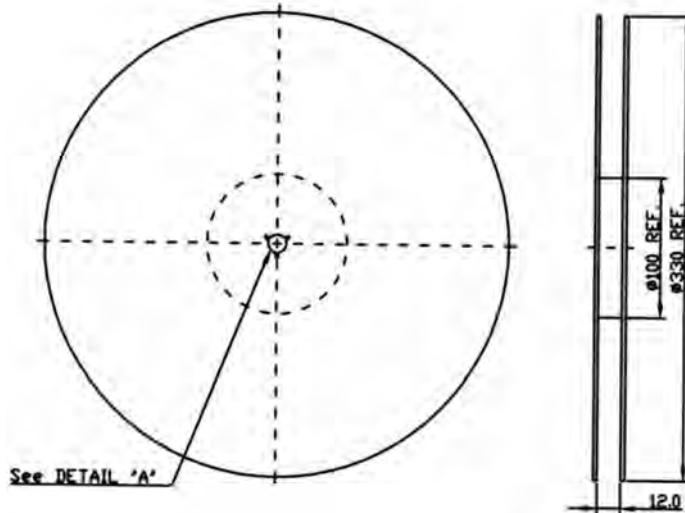
Model: TC0224A

Part No: **MA08251**

REV. NO.: 1

H. PACKING:

1. REEL DIMENSION



2. TAPE DIMENSION

