

SAW Resonator 776.795MHz

Model: TC0188A

Part No: MA07194

REV. NO.: 1

A. FEATURES:

1. 1-Port Resonator.

B. MAXIMUM RATING:

1. Input Power Level: 0 dBm
2. DC voltage: 12 V
3. Operating Temperature: -40°C to +85°C
4. Storage Temperature: -40°C to +85°C

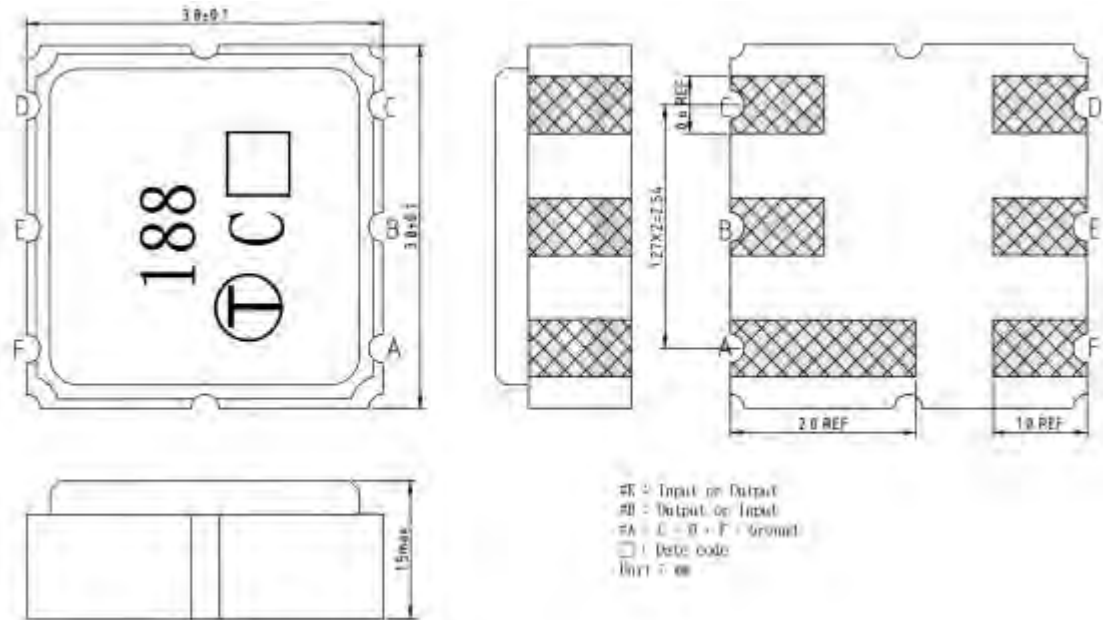
C. ELECTRICAL CHARACTERISTICS:

Characteristic	Units	Minimum	Typical	Maximum
Center frequency Fr	MHz	776.670	776.795	776.920
Insertion Loss IL	dB	-	1.0	2.0
Equivalent Elements				
Motional capacitance C1	fF	-	1.66	-
Motional inductance L1	μH	-	25.31	-
Motional resistance R1	Ohm	-	14.67	-
Parallel capacitance Co	pF	-	2.80	-
Temp.coeff.	ppm/c*2	-	0.032	-
Turnover To	deg.C	20	-	50
Package size		SMD 3.8X3.8X1.4mm		

SAW Resonator 776.795MHz
Part No: MA07194

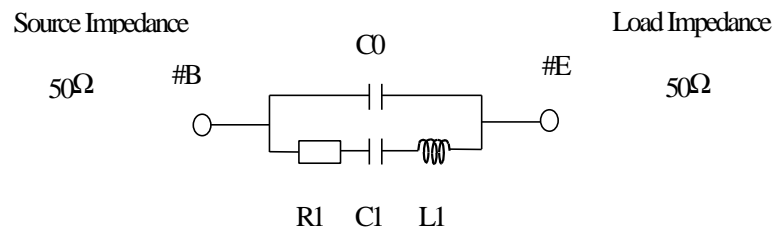
Model: TC0188A
REV. NO.: 1

D. OUTLINE DRAWING:



E. EQUIVALENT CIRCUIT:

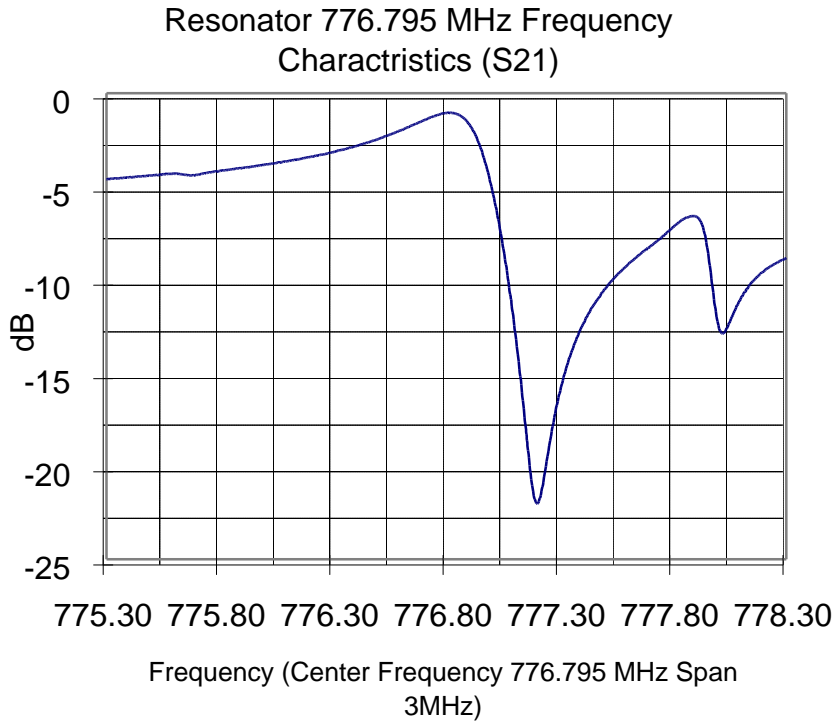
One-Port Resonator:



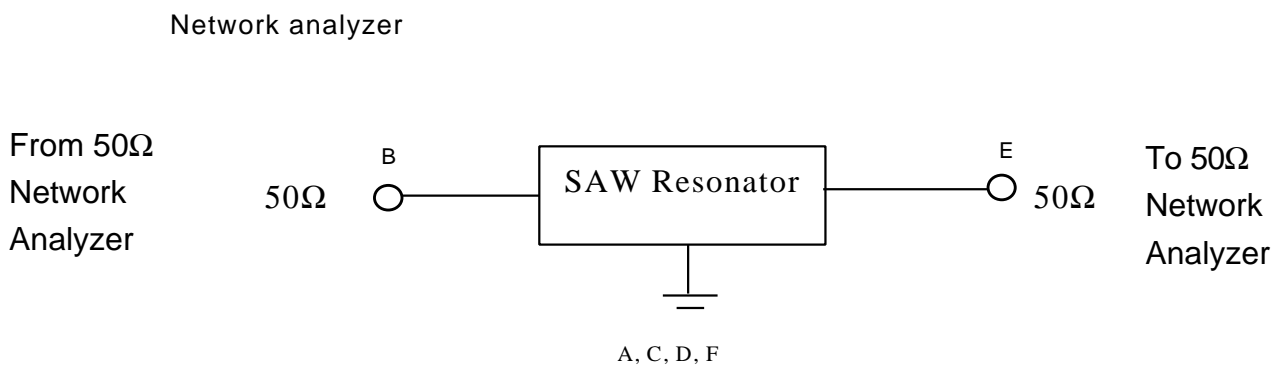
SAW Resonator 776.795MHz
Part No: MA07194

Model: TC0188A
REV. NO.: 1

F. FREQUENCY CHARACTERISTICS:



G. TEST CIRCUIT:

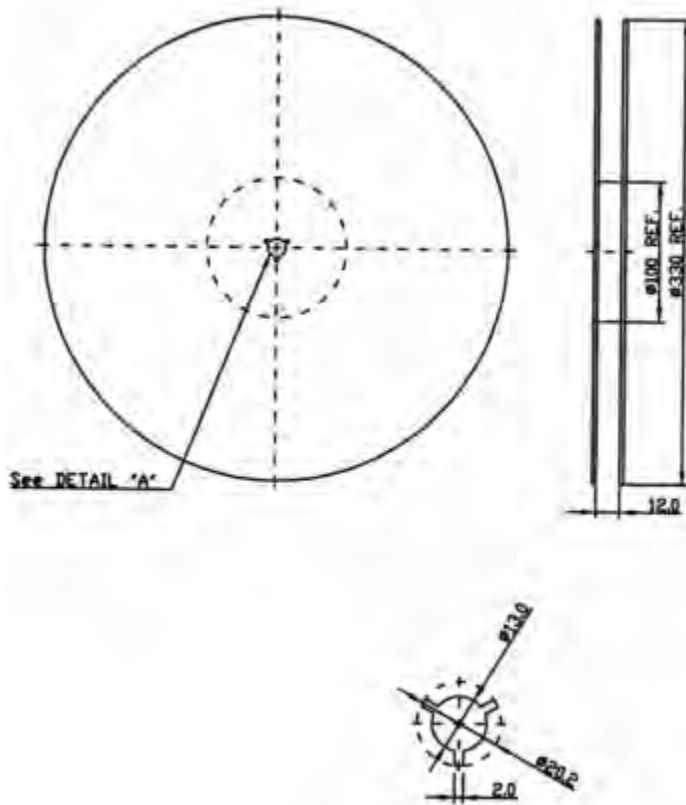


SAW Resonator 776.795MHz
Part No: MA07194

Model: TC0188A
REV. NO.: 1

H. PACKING:

1. REEL DIMENSION



2. TAPE DIMENSION

