
SAW Filter 350.0MHz

Model: TB0200A

Part No: MA07022

REV. NO.: 3

A. MAXIMUM RATING:

1. Input Power Level: +20 dBm
2. Operating Temperature: +25°C
3. Storage Temperature: -40°C to +85°C

B. ELECTRICAL CHARACTERISTICS:

Parameter	Unit	Min.	Typical	Max.
Center frequency, F_c	MHz	349.9	350	350.1
Insertion Loss, IL	dB	-	13.5	14.5
0.5dB Bandwidth	MHz	1.7	1.96	-
3dB Bandwidth	MHz	2.6	2.65	-
20dB Bandwidth	MHz	-	3.8	4
45dB Bandwidth	MHz	-	4.4	6
Amplitude ripple within ±0.85 MHz	dB	-	0.4	0.7
Group Delay ripple within ±1.1 MHz	nsec	-	35	70
Substrate Material	-	-	Quartz	-
Temperature Coefficient of frequency	ppm/ K	-	$\Delta F/F = -[(T-T_0)/5.4]^2$	-

SAW Filter 350.0MHz
Part No: MA07022

Model: TB0200A
REV. NO.: 3

C. FREQUENCY CHARACTERISTICS:

(1) Frequency Response



(2) Passband response and Group Delay Variation



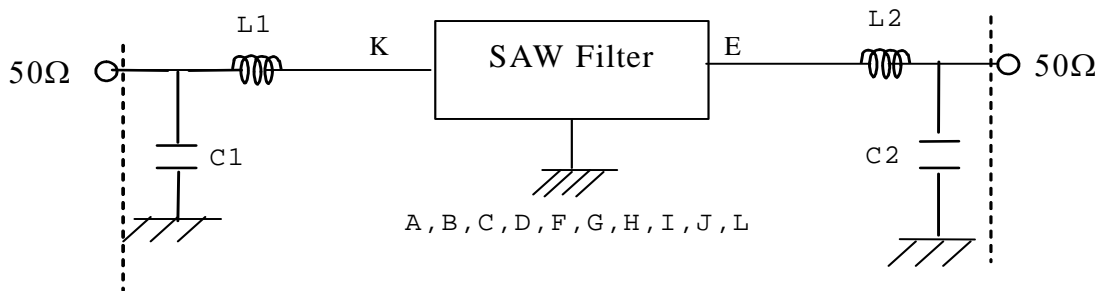
SAW Filter 350.0MHz
Part No: MA07022

Model: TB0200A
REV. NO.: 3

D. MEASUREMENT CIRCUIT:

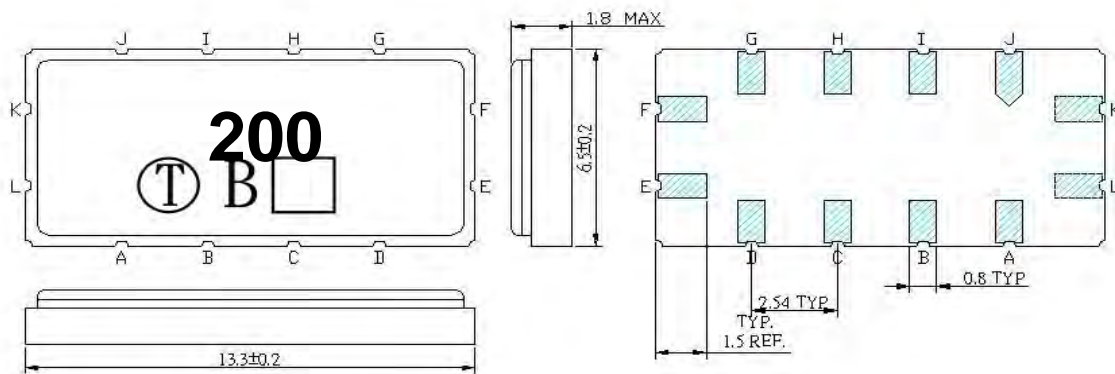
Source and load impedance: 50Ω

Network analyzer



Input: L1=15nH, Q>40; C1=27 pF
 Output: L2=15nH, Q>40; C2=27 pF

E. OUTLINE DRAWING:



Unit: mm

Pin K: RF Input
 Pin E: RF Output
 Pin L: Input Ground

Pin F: Output Ground
 Pin A, B, C, D, G, H, I, J: Ground