

SAW Filter 440.0MHz
Part No: MA06819

Model: TA0411A
Rev No: 2

A. MAXIMUM RATING:

1. Input Power Level: 10dBm
2. DC voltage: 3V
3. Operating Temperature: -40°C to +85°C
4. Storage Temperature: -40°C to +85°C

B. ELECTRICAL CHARACTERISTICS:

Reference temperature: 25°C

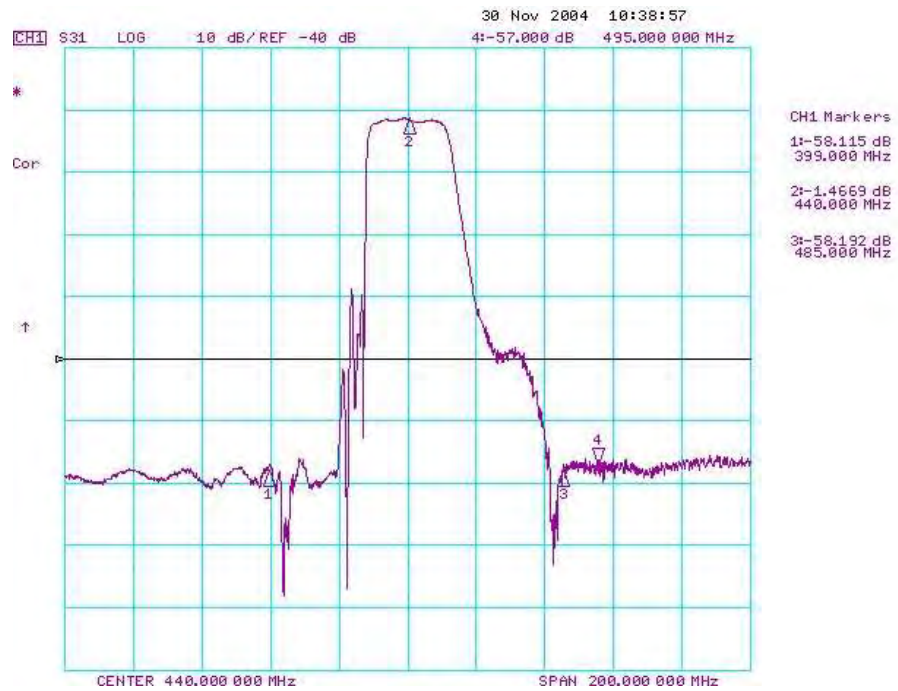
Item	Unit	Min.	Typ.	Max.
Center frequency Fc	MHz	-	440	-
Insertion Loss IL min (reference level)	dB	-	1.4	2.8
3dB Bandwidth BW -3dB	MHz	19	23.3	-
Absolute Attenuation:(Reference level from 0dB)				
Fc -45 to Fc -100MHz	dB	40	57	-
Fc +45 to Fc +55MHz	dB	30	56	-
Fc +55 to Fc +100MHz	dB	40	56	-
Temperature coefficient of frequency	ppm/k	-	-36	-
Source impedance Z _S	Ω	-	50	-
Load impedance Z _L	Ω	-	50	-

Note: IL min is the minimum of the pass band attenuation. The center frequency Fc is the mean value of the upper and lower frequencies at the 3dB filter attenuation level relative to the IL min.

SAW Filter 440.0MHz
Part No: MA06819

Model: TA0411A
Rev No: 2

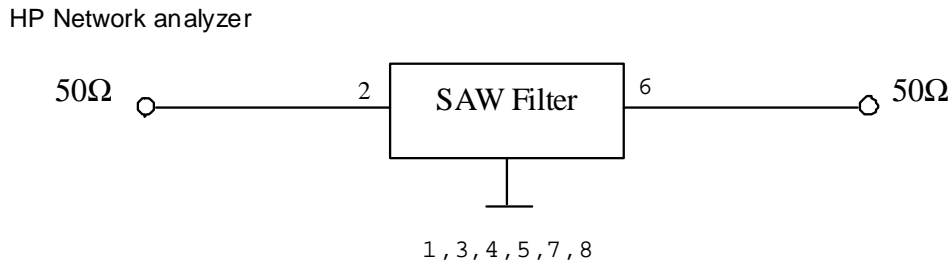
C. FREQUENCY CHARACTERISTICS:



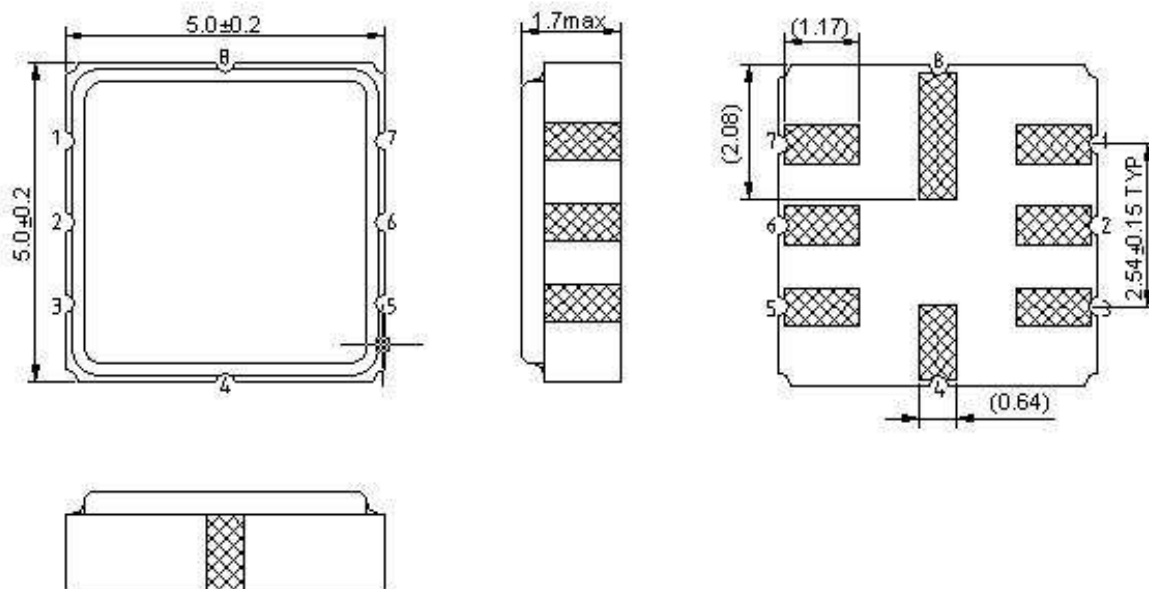
SAW Filter 440.0MHz
Part No: MA06819

Model: TA0411A
Rev No: 2

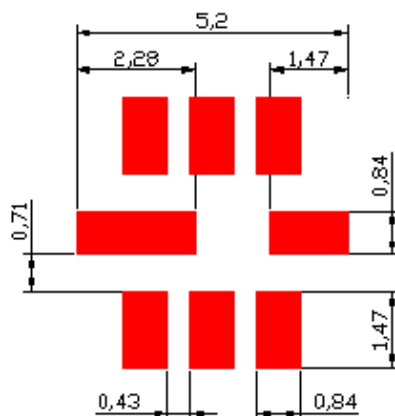
D. MEASUREMENT CIRCUIT:



E. OUTLINE DRAWING:



F. PCB FOOTPRINT:

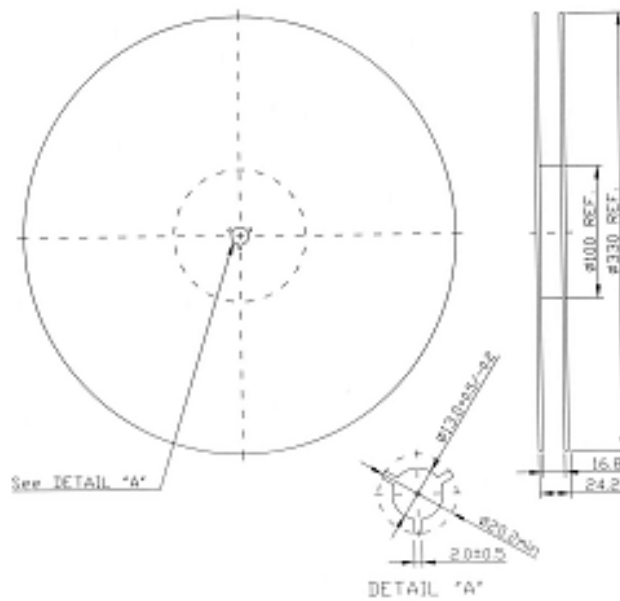


SAW Filter 440.0MHz
Part No: MA06819

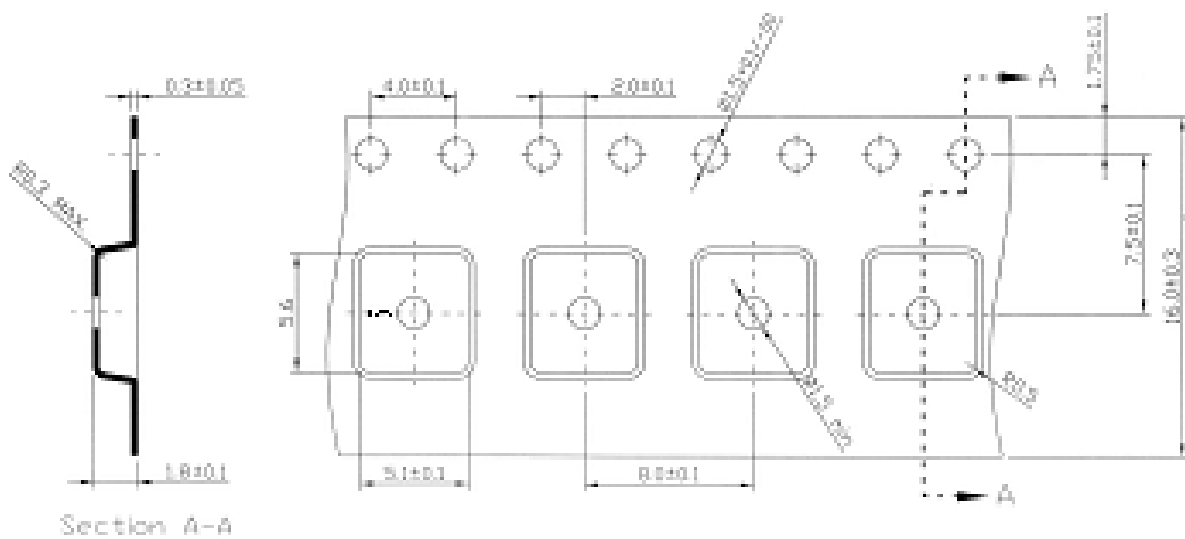
Model: TA0411A
Rev No: 2

G. PACKING:

1. REEL DIMENSION



2. TAPE DIMENSION



Direction of Feed

