

**374.0MHz SAW Filter**  
**Part No: MA05972**

**Model: TB0221A**  
**REV NO.: 1**

**A. MAXIMUM RATING:**

1. Input Power Level: 10 dBm
2. Operating Temperature: -10°C to 85°C
3. Storage Temperature: -40°C to 85°C

**B. ELECTRICAL CHARACTERISTICS:**

Item	Unit	Min.	Type.	Max.	Note
Center frequency, <b>F<sub>c</sub></b>	MHz	-	374	-	
Insertion Loss, <b>IL</b>	dB	-	8.5	10	
Passband width, <b>BW<sub>3</sub></b>	MHz	17	19.1	-	
Amplitude Ripple in $F_c \pm 7\text{MHz}$	dB	-	0.7	1	
Group delay ripple in $F_c \pm 7\text{MHz}$	nS	-	50	100	
Triple transit suppression	dB	30	41	-	
Attenuation:(Reference level from Min IL)					
274MHz to 330 MHz	dB	40	50	-	
330MHz to 349.5MHz	dB	40	46	-	
349.5MHz to 355 MHz	dB	30	42	-	
393MHz to 398.5MHz	dB	30	40	-	
398.5MHz to 422MHz	dB	35	42		
422MHz to 474MHz	dB	40	50	-	

**374.0MHz SAW Filter**  
**Part No: MA05972**

**Model: TB0221A**  
**REV NO.: 1**

**C.FREQUENCY CHRACTERISTICS:**

(1) wide band of Response:

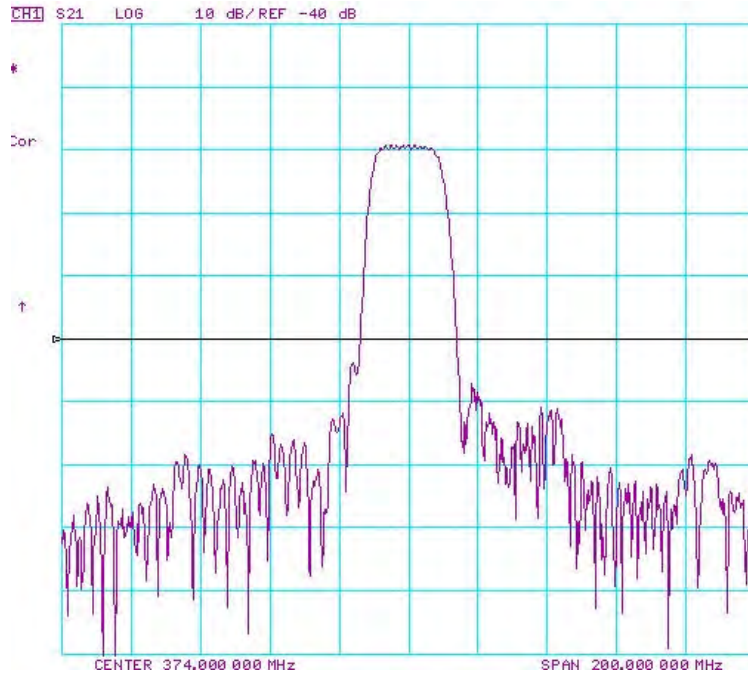


Fig-1 S21 Response Horizontal: 20MHz/Div. Vertical: 10dB/div REF. : -40dB

(2) Passband of Response:

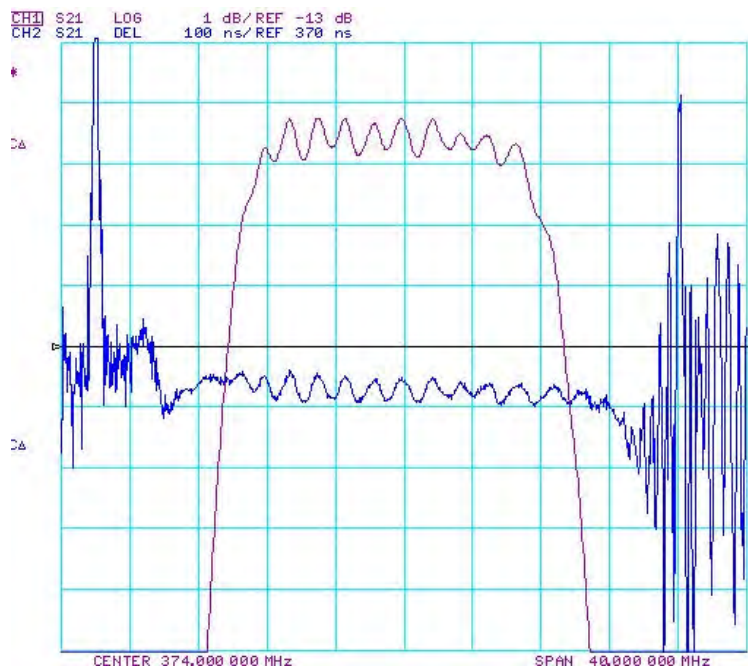


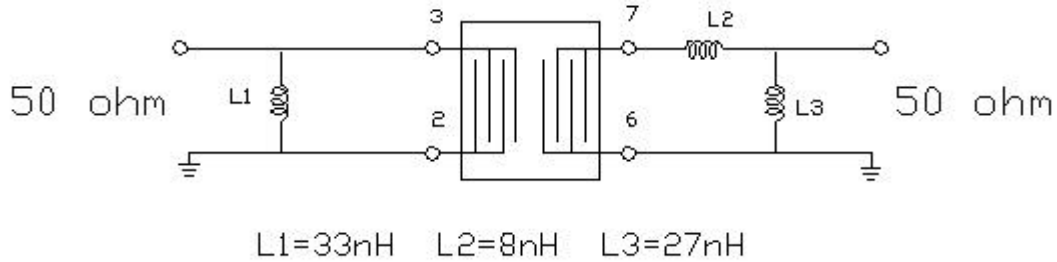
Fig-1 S21 Response Horizontal: 4MHz/Div. Vertical: 1dB/Div, 100nS

**374.0MHz SAW Filter**  
**Part No: MA05972**

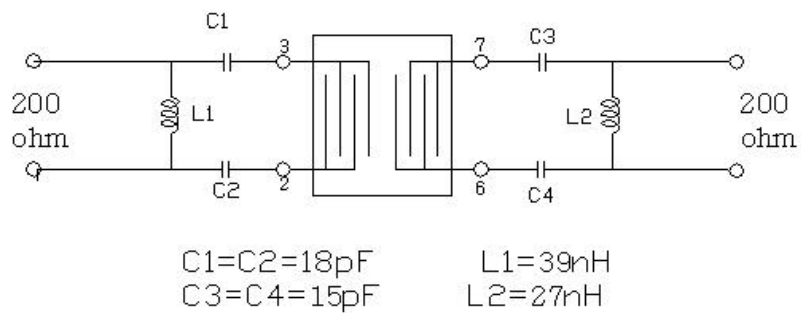
**Model: TB0221A**  
**REV NO.: 1**

**D.MEASUREMENT CIRCUIT:**

(1) 500 unbalanced:



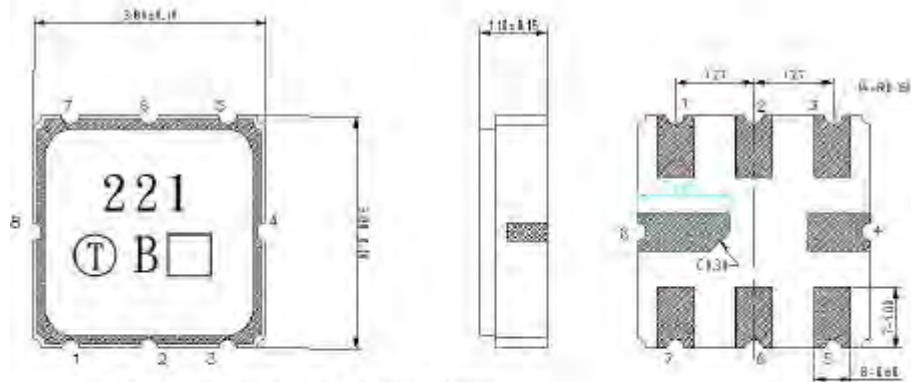
(2) 2000 balanced:



**374.0MHz SAW Filter**  
**Part No: MA05972**

**Model: TB0221A**  
**REV NO.: 1**

**E. OUTLINE DRAWING:**



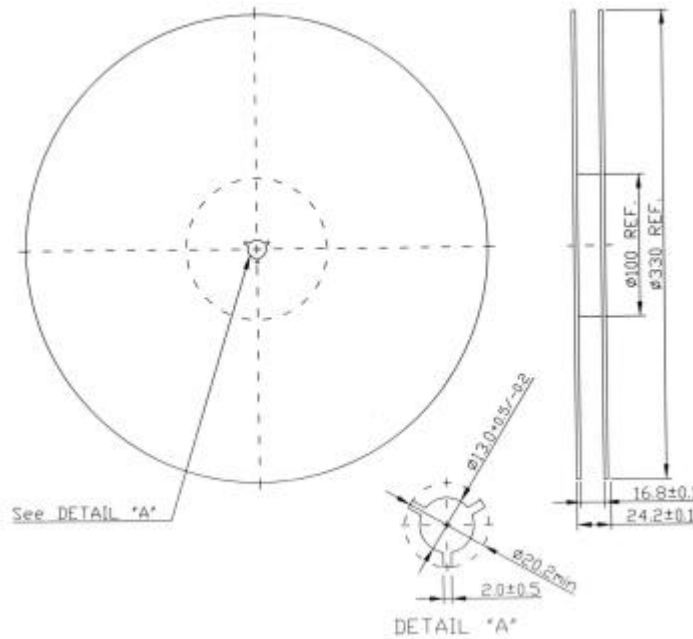
- Pin 3 : RF input or Balance input
- Pin 7 : RF output or Balance output
- Pin 2 : RF input ground or Balance input return
- Pin 6 : RF output ground or Balance output return
- Pin 1, 4, 5, 8 : To be Ground
- : Date code
- Unit : mm

**374.0MHz SAW Filter**  
**Part No: MA05972**

**Model: TB0221A**  
**REV NO.: 1**

**F. PACKING:**

**1. REEL DIMENSION**



**2. TAPE DIMENSION**

