

IF SAW Filter Low-Loss 70MHz (BW=16 MHz)
Part No: MA05391

Model: TB0214A
REV NO.: 1

A. Maximum Rating:

1. Input Power Level: +20 dB_m
2. Operating Temperature: -10°C to +70°C
3. Storage Temperature: -40°C to +85°C

B. Electrical Characteristics:

Parameters	Unit	Min.	Typical	Max.
Center frequency, F_c	MHz	69.8	70	70.2
Insertion Loss, IL	dB	-	12.2	13.2
1 dB Bandwidth	MHz	15.2	15.38	-
3 dB Bandwidth	MHz	16.0	16.41	-
40 dB Bandwidth	MHz	-	20.17	21.0
Relative Attenuation:				
10 to 59.5 MHz	dB	40	43	-
82 to 140 MHz	dB	40	45	-
Amplitude ripple within $F_c \pm 7$ MHz	dB	-	0.55	1.0
Group Delay ripple within $F_c \pm 7$ MHz	nsec	-	40	80
Substrate Material	-	-	YZ-LN	-
Temperature Coefficient of frequency	ppm/ °C	-	-94	-

IF SAW Filter Low-Loss 70MHz (BW=16 MHz)
Part No: MA05391

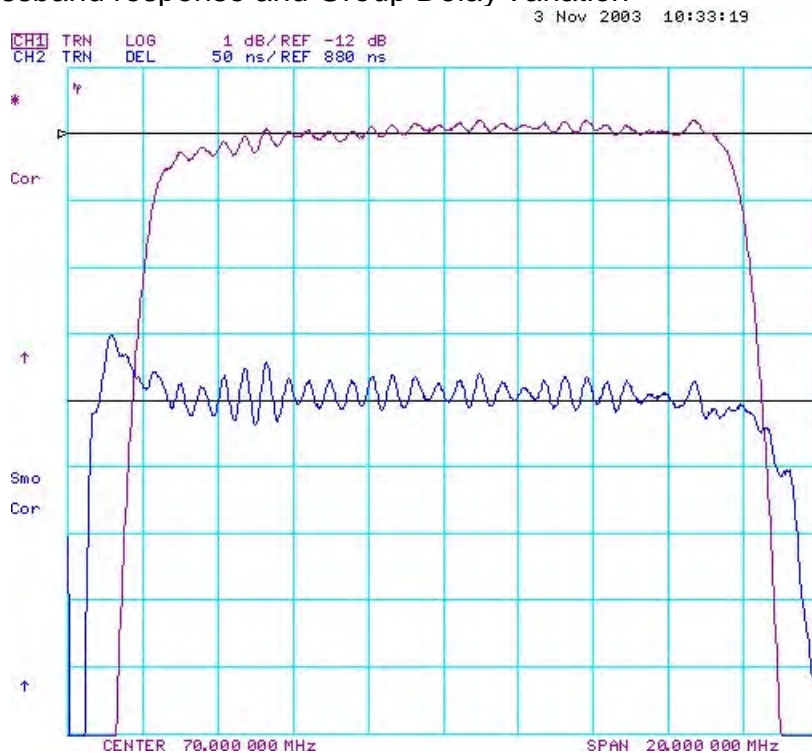
Model: TB0214A
REV NO.: 1

C. Frequency Characteristics:

(1) Frequency Response



(2) Passband response and Group Delay Variation



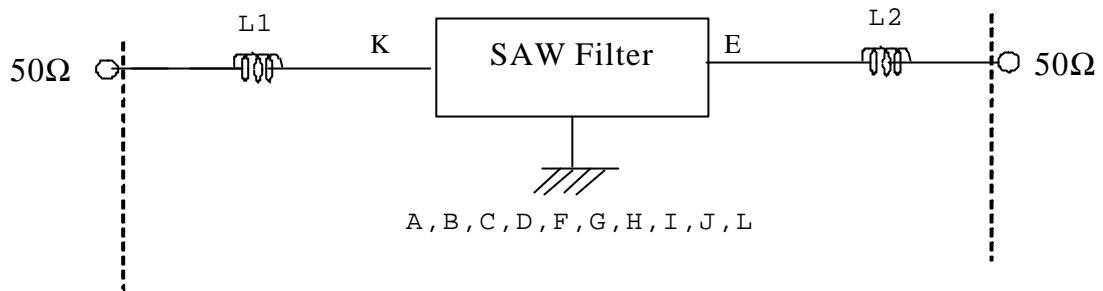
IF SAW Filter Low-Loss 70MHz (BW=16 MHz)
Part No: MA05391

Model: TB0214A
REV NO.: 1

D. Measurement Circuit:

Source and load impedance: 50 Ω

Network analyzer

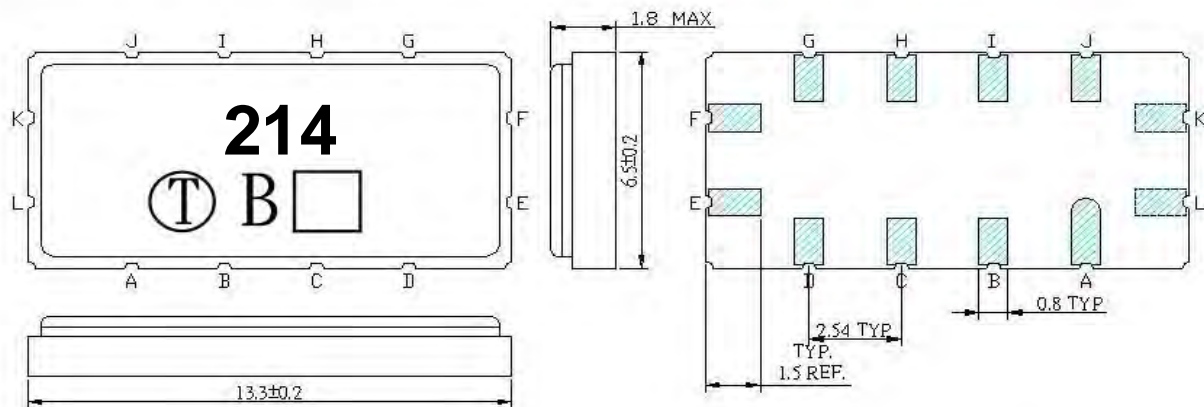


Input: L1=220 nH, Q>40
Output: L2=220 nH, Q>40

IF SAW Filter Low-Loss 70MHz (BW=16 MHz)
Part No: MA05391

Model: TB0214A
REV NO.: 1

E. Outline Drawing:



Unit: mm

- Pin K: RF Input
- Pin E: RF Output
- Pin L: Input Ground
- Pin F: Output Ground
- Pin A, B, C, D, G, H, I, J: To be Ground
- : Date code