

SAW Resonator 433.920MHz
Part No: MA03138

Model: TD0103A
Rev No: 2

A. FEATURES:

1. Two - Port Resonator.
2. Nominal 180° - phase at resonance.

B. MAXIMUM RATING:

1. Power Dissipation: 0dBm.
2. DC voltage: 12V
3. Storage Temperature: -40°C to 85°C
4. Operating Temperature:-40°C to 85°C

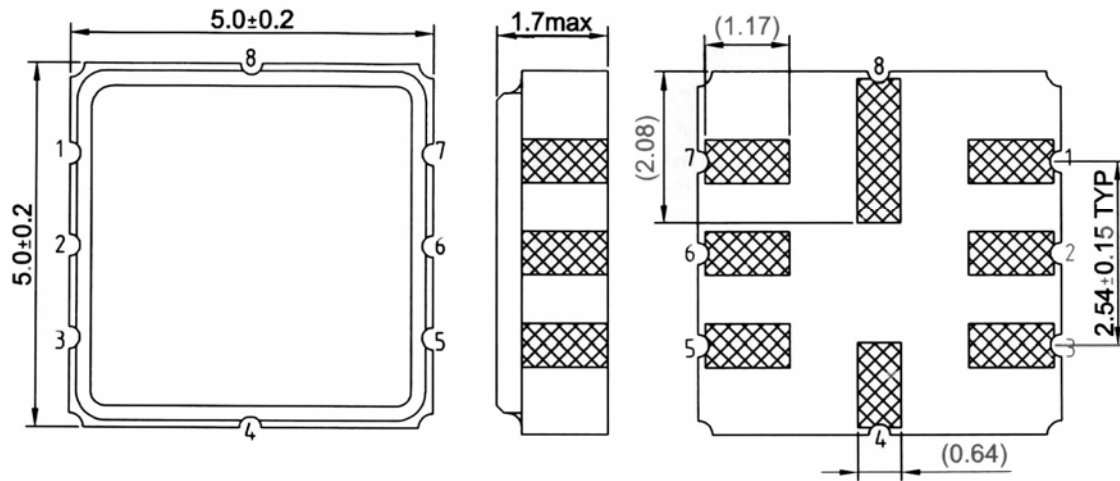
C. ELECTRICAL CHARACTERISTICS:

Characteristic	Units	Min.	Typ.	Max.
Center frequency Fr	MHz	433.845	433.920	433.995
Insertion Loss IL	dB	-	7.0	9.0
Unloaded Quality factor		8000	-	-
Equivalent Elements				
Motional capacitance C1	fF	-	0.15	-
Motional inductance L1	μH	-	900	-
Motional resistance R1	Ohm	-	166	217
Parallel capacitance Co	pF	2.3	2.6	2.9
Temp. coeff.	ppm/c*2	-	0.032	-
Turnover To	deg.C	36	-	66
Package size	SMD 5 X 5 X 1.4			

SAW Resonator 433.920MHz
Part No: MA03138

Model: TD0103A
Rev No: 2

D. OUTLINE DRAWING:

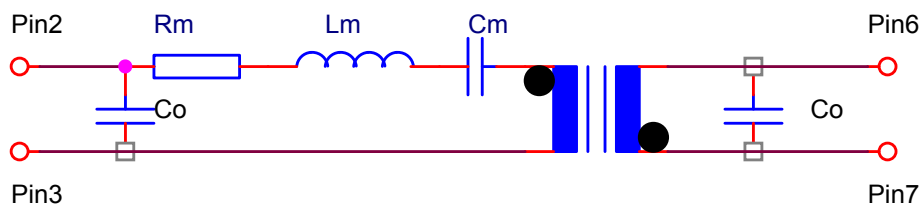


- #2 : Input / Output
- #6 : Output / Input
- #7 : Ground(Input/Output)
- #3 : Ground(Output/Input)
- #4、8 : Ground(case)
- #1、5 : Ground

Unit : mm

E. EQUIVALENT CIRCUIT:

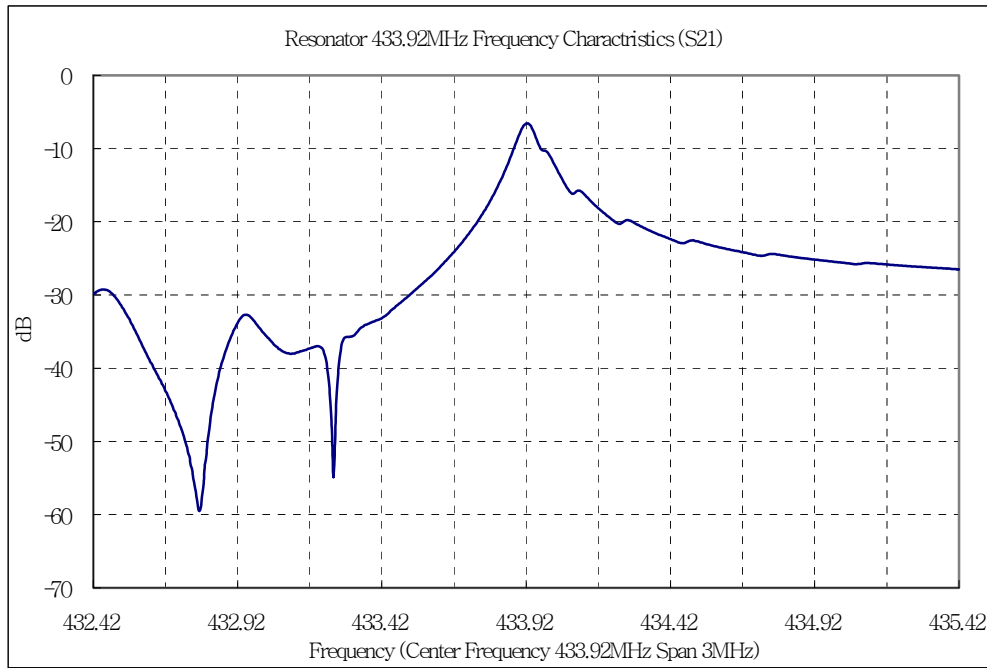
Two-Port Resonator:



SAW Resonator 433.920MHz
Part No: MA03138

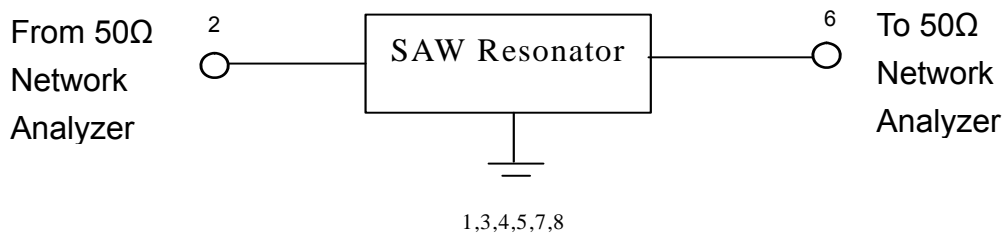
Model: TD0103A
Rev No: 2

F. FREQUENCY CHARACTERISTICS:



G. TEST CIRCUIT:

Network analyzer

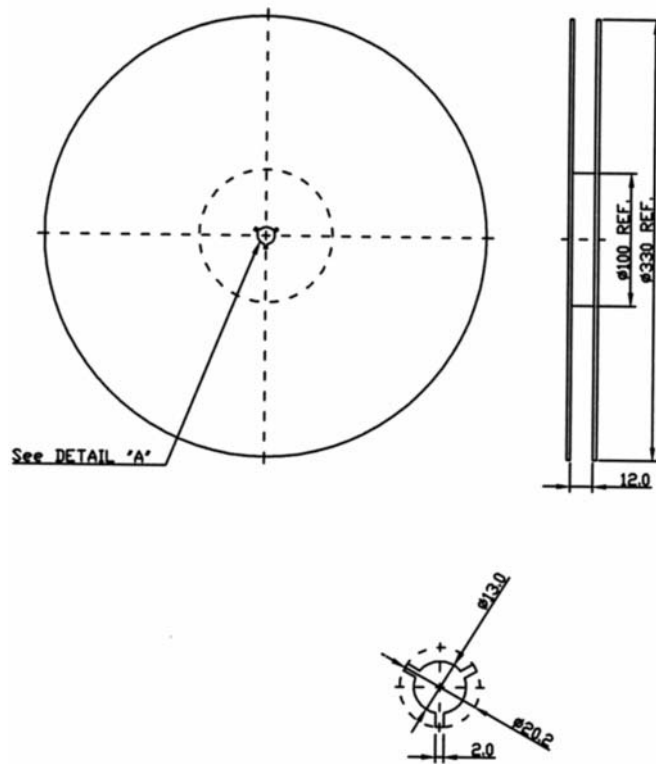


SAW Resonator 433.920MHz
Part No: MA03138

Model: TD0103A
Rev No: 2

H. PACKING:

1. Reel Dimension



2. Tape Dimension

