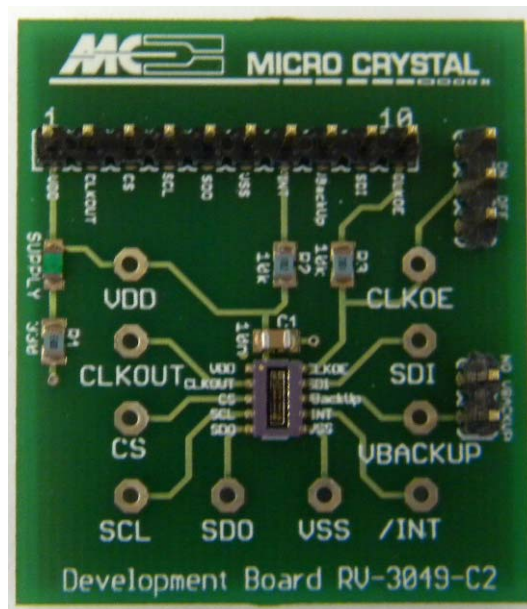


DEVELOPMENT BOARD



RV-3049-C2

Temperature Compensated Real Time Clock / Calendar Module

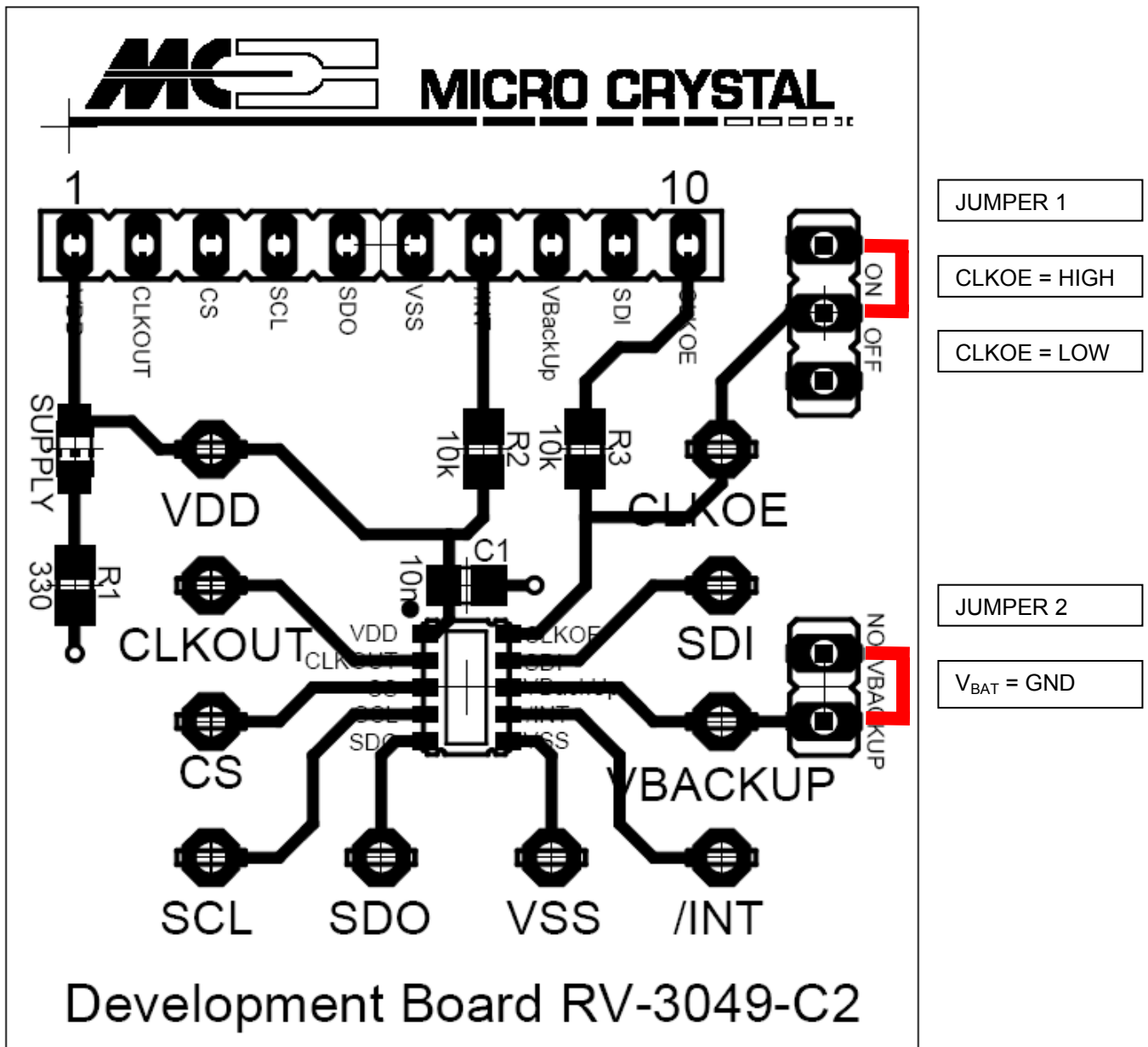
RV-3049-C2

The RV-3049-C2 is soldered onto the Development Board.
 Every pin is either accessible at test pins 1 – 10 or at the test vias situated around the device.

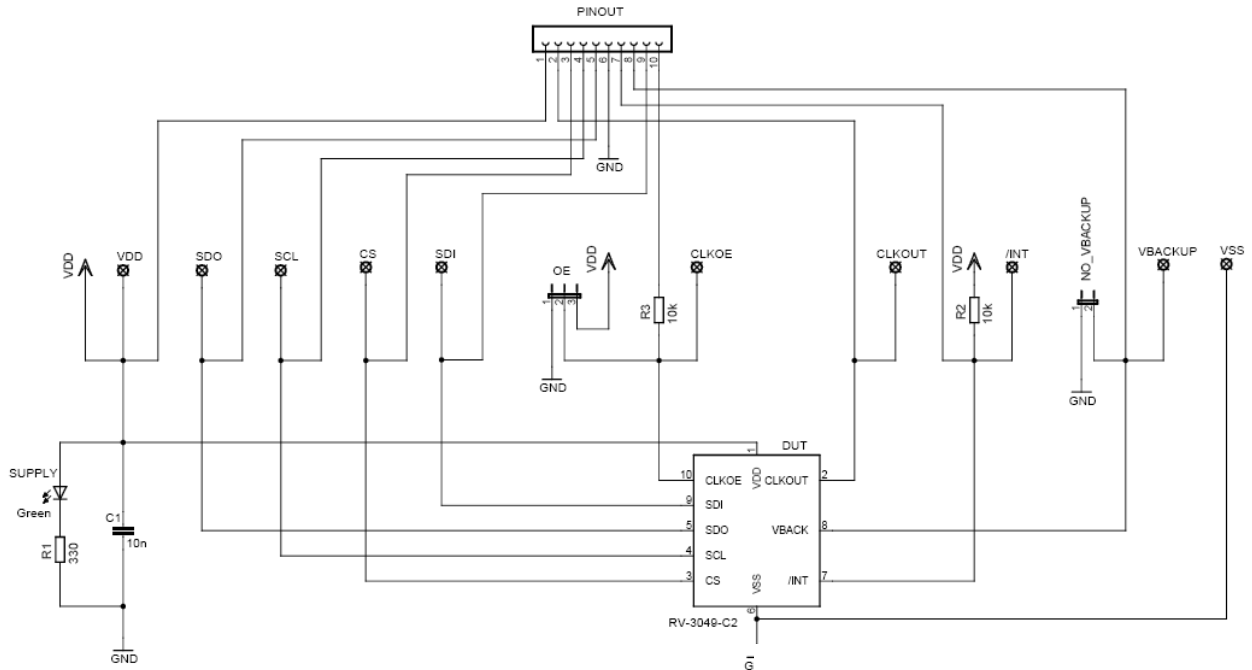
The following passive components are already soldered on the Board:

- | | | |
|-----|---------------|--|
| C1 | 10 nF | Decoupling capacitor between V_{SS} and V_{DD} |
| R1 | 330 Ω | current limiting resistor for LED |
| LED | green | Supply, current consumption of the LED has to be considered |
| R2 | 10 k Ω | Pull-up resistor INT to V_{DD} |
| R3 | 10 k Ω | Protection resistor to prevent short-circuit between external CLKOE signal and Jumper. |

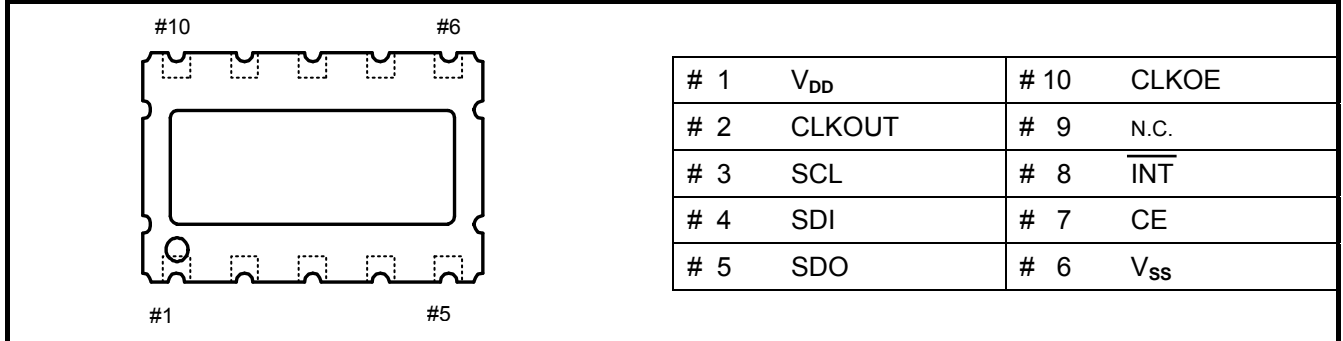
DEVELOPMENT BOARD



SCHEMATICS



PINOUT RV-3049-C2



PIN DESCRIPTION

Symbol	Pin #	Description
V _{DD}	1	Positive supply voltage; positive or negative steps in supply voltage may affect oscillator performance, recommend 10 nF decoupling capacitor close to device
CLKOUT	2	Clock Output pin; open-drain
SCL	3	Serial Clock Input pin; may float when CE inactive
SDI	4	Serial Data Input pin; may float when CE inactive
SDO	5	Serial Data Output pin; push-pull; high-impedance when not driving; can be connected to SDI for single-wire data line
V _{SS}	6	Ground
CE	7	Chip Enable input; active HIGH; with internal pull-down
INT	8	Interrupt output pin; open-drain; active LOW
NC	9	Not Connected
CLKOE	10	CLKOUT enable/disable pin; enable is active HIGH