

PAD	CONNECTION
1	Enable / disable
2	Ground
3	Output
4	Supply

Features

- ▶ Enable / disable tristate function
- ▶ Miniature ceramic package with metal lid
- ▶ Competitive pricing

Enable / Disable Function

Input (pad 1)	Output (pad 3)
Open	Enabled
'1' level	Enabled
'0' level	High Impedance

Note: '0' level = $V_{IL} \leq 30\%V_{DD}$, '1' level = $V_{IH} \geq 70\%V_{DD}$

Specifications

GXO-U119G: 1.8V supply

GXO-U119J: 2.5V supply

GXO-U119L: 3.3V supply

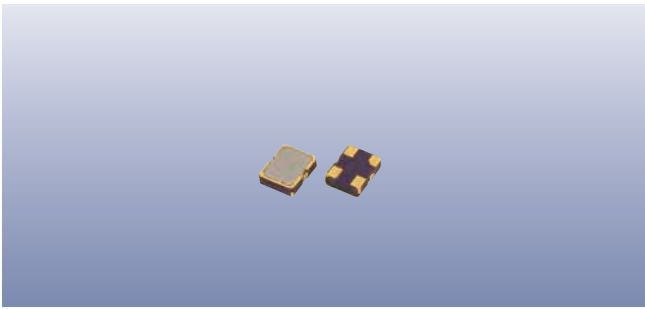
Parameters	Variant			Option Codes
	G	J	L	
Frequency range: 1.80 ~ 133MHz 1.80 ~ 170MHz	■	■	■	
Frequency stability*: ±100ppm ±50ppm ±25ppm	■ □ □	■ □ □	■ □ □	B A
Operating temperature range: -10 to +70°C -40 to +85°C	■ □	■ □	■ □	I
Storage temperature range: -55 to +125°C	■	■	■	
Supply voltage (V_{DD}): +1.8V (±5%) +2.5V (±5%) +3.3V (±10%)	■	■	■	
Supply current (mA max): 1.8 ~ 50.0MHz 50.0 ~ 133MHz 133 ~ 170MHz	7 20 -	12 30 30	20 40 40	
Logic levels: '0' level = 20% V_{DD} max '1' level = 80% V_{DD} min '0' level = 10% V_{DD} max '1' level = 90% V_{DD} min	■ ■	■ ■	■ ■	
Start up time: 10ms max 5ms max	■	■	■	
Waveform symmetry: 40:60 max @ 50% V_{DD} 45:55 max @ 50% V_{DD}	■	■	■	
Driving ability: 15pF CMOS	■	■	■	
Rise / fall time: 6ns max 5ns max (1.8~32.1MHz) 3.5ns max (32.1~133MHz)	■ ■	■ ■	■ ■	
Enable / disable function: Tristate (control via pad 1)	■	■	■	
Stand-by current: 10µA max	■	■	■	

■ Standard. □ Optional - Please specify required code(s) when ordering

* Frequency stability is inclusive of calibration @ 25°C, operating temperature range, supply voltage change, load change, shock and vibration.

Ordering Information

Product name + variant + option codes (if any) + frequency
 eg: **GXO-U119L/A 40.0MHz** 3.3V, 25ppm, -20+70°C
GXO-U119G/BI 24.5760MHz 1.8V, ±50ppm, -40+85°C
 Option code X (eg GXO-U119L/X) denotes a custom spec.



Packaging & Handling

Production quantities supplied on T&R, 2k pcs per reel.
Small quantities may be supplied on tape (no reel), or in bulk.

 Static sensitive product. Observe proper handling precautions

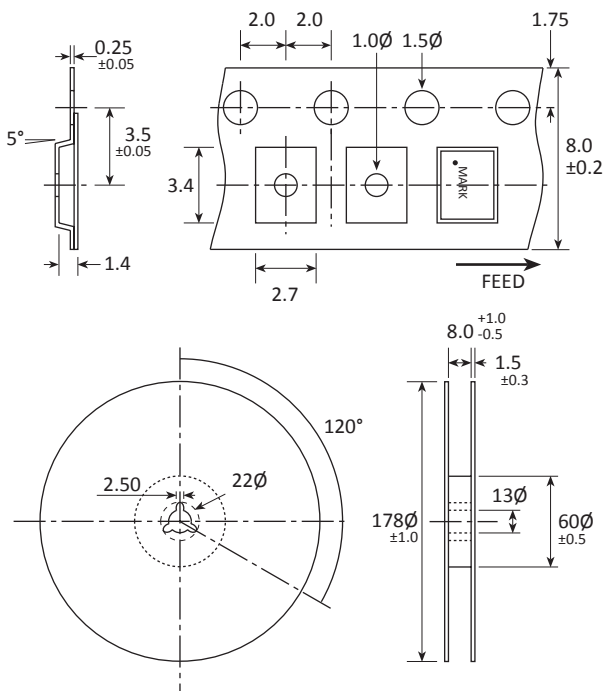
Marking

FREQUENCY
DC

Marking type: Laser
DC = Date code in YM, eg "CE" = May 2013

	A	B	C	D	E	F	G	H	J	K	L	M
Y	1	2	3	4	5	6	7	8	9	0		
M	Jan	Feb	Mar	Apr	May	Jun	Jul	Aug	Sep	Oct	Nov	Dec

Tape & Reel Specification



Not to scale. Dimensions in mm. Tolerances ±0.1mm unless otherwise stated.

Construction

- Ceramic body with gold-plated pads
- Metal lid, seam sealed

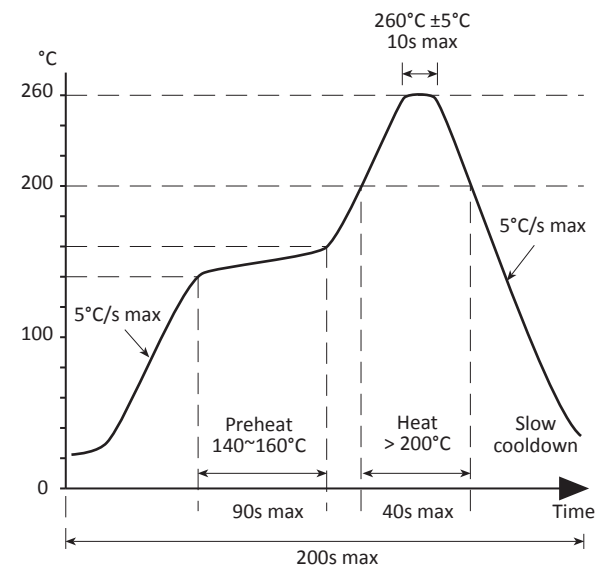
Composition



This product is lead-free, and is fully compliant with the RoHS 2 directive 2011/65/EU



Soldering Profile



Solder resistance: 260°C x 10 secs x 2.