

PAD	CONNECTION
1	Enable / disable or Not connected
2	Not connected
3	Ground
4	Output 1
5	Output 2
6	Supply

Features

- Differential outputs
- Low phase jitter
- Enable / disable tristate option
- Fast rise / fall times
- Designed for SONET, SDH, IEEE1394 etc

Specifications

Parameters	Variant		Option Codes	
	L	J		
Frequency range:	80.0 ~ 200MHz	<input checked="" type="checkbox"/>	<input checked="" type="checkbox"/>	
Frequency stability*:	±100ppm ±50ppm ±25ppm	<input checked="" type="checkbox"/> <input type="checkbox"/> <input type="checkbox"/>	<input checked="" type="checkbox"/> <input type="checkbox"/> <input type="checkbox"/>	B A
Operating temperature range:	-10 to +70°C -40 to +85°C	<input checked="" type="checkbox"/> <input type="checkbox"/>	<input checked="" type="checkbox"/> <input type="checkbox"/>	I
Storage temperature range:	-40 to +85°C	<input checked="" type="checkbox"/>	<input checked="" type="checkbox"/>	
Supply voltage (V _{DD}):	+3.3V (±5%) +2.5V (±5%)	<input checked="" type="checkbox"/>	<input type="checkbox"/>	
Supply current:	70mA max, 50mA typ	<input checked="" type="checkbox"/>	<input checked="" type="checkbox"/>	
Output:	LVDS	<input checked="" type="checkbox"/>	<input checked="" type="checkbox"/>	
Offset voltage:	1.25V typ	<input checked="" type="checkbox"/>	<input checked="" type="checkbox"/>	
Differential output voltage:	0.33V typ	<input checked="" type="checkbox"/>	<input checked="" type="checkbox"/>	
Output load:	100Ω	<input checked="" type="checkbox"/>	<input checked="" type="checkbox"/>	
Logic levels:	'0' level = 0.9V max '1' level = 1.6V min	<input checked="" type="checkbox"/> <input checked="" type="checkbox"/>	<input checked="" type="checkbox"/> <input checked="" type="checkbox"/>	
Start up time:	10ms max	<input checked="" type="checkbox"/>	<input checked="" type="checkbox"/>	
Waveform symmetry:	45:55 max @ 50%V _{p-p}	<input checked="" type="checkbox"/>	<input checked="" type="checkbox"/>	
Rise / fall time:	1.0ns max (20 ~ 80%V _{p-p})	<input checked="" type="checkbox"/>	<input checked="" type="checkbox"/>	
Enable / disable function:	Tristate (control via pad 1) None (pad 1 not connected)	<input checked="" type="checkbox"/> <input type="checkbox"/>	<input checked="" type="checkbox"/> <input type="checkbox"/>	N
Output enable / disable time:	2 ms / 200ns max	<input checked="" type="checkbox"/>	<input checked="" type="checkbox"/>	
Stand-by current:	30μA max	<input checked="" type="checkbox"/>	<input checked="" type="checkbox"/>	
Phase jitter RMS:	1ps max (0.3ps typ), 12kHz~20MHz	<input checked="" type="checkbox"/>	<input checked="" type="checkbox"/>	

■ Standard. □ Optional - Please specify required code(s) when ordering

* Frequency stability is inclusive of calibration @ 25°C, operating temperature range, supply voltage change and load change.

Ordering Information

Product name + variant + option codes (if any) + frequency

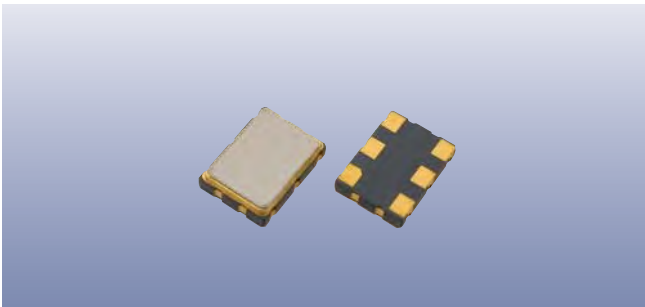
eg: **GXO-L72L 108.0MHz** 3.3V, ±100ppm -10+70°C

GXO-L72J/BI 125.0MHz 2.5V, ±50ppm -40+85°C

Option code X (eg GXO-L72L/X) denotes a custom spec.

Enable / Disable Function

Input (pad 1)	Output 1 (pad 4)	Output 2 (pad 5)
Open '1' level (≥0.7V _{DD}) '0' level (≤0.3V _{DD})	Enabled Enabled High Impedance	Enabled Enabled High Impedance



Construction

- ▮ Ceramic body with gold-plated pads
- ▮ Metal lid, seam sealed

Composition



This product is lead-free, and is fully compliant with the RoHS 2 directive 2011/65/EU



Packaging & Handling

Production quantities supplied on T&R, 1k or 3k pcs per reel. Small quantities may be supplied on tape (no reel), or in bulk.



◆ Static sensitive product. Observe proper handling precautions

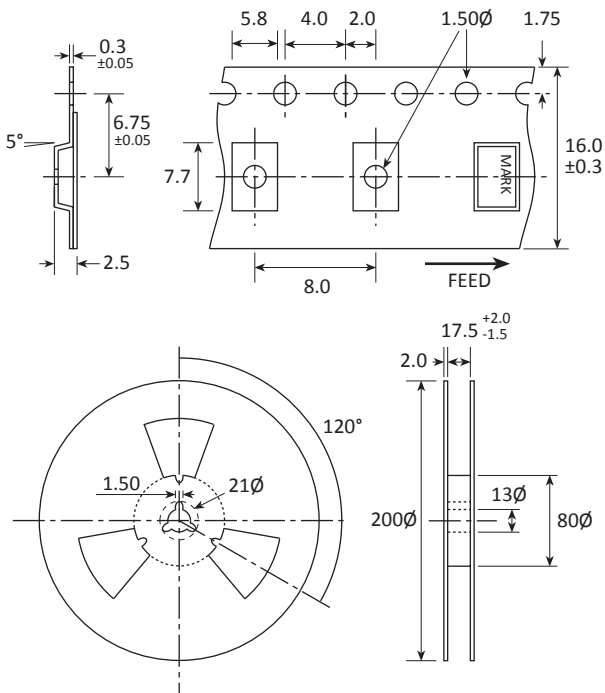
Marking

FREQUENCY DC
• PARTNO

- Pin 1
- Marking type: Laser
- DC = Date code in YM, eg "CE" = May 2013

	A	B	C	D	E	F	G	H	J	K	L	M
Y	1	2	3	4	5	6	7	8	9	0		
M	Jan	Feb	Mar	Apr	May	Jun	Jul	Aug	Sep	Oct	Nov	Dec

Tape & Reel Specification



Not to scale. Dimensions in mm. Tolerances ±0.1mm unless otherwise stated.

Soldering Profile

