

| PAD | CONNECTION |
|-----|----------------|
| 1 | Enable/Disable |
| 2 | Not connected |
| 3 | Ground |
| 4 | Output 1 |
| 5 | Output 2 |
| 6 | Supply |

Features

- ▣ Differential outputs
- ▣ Low phase jitter
- ▣ Enable / disable tristate function
- ▣ Power saving function
- ▣ Fast rise / fall times

Specifications

| Parameters | Product | Option Codes |
|------------------------------------|---------------------------------------|--------------|
| | GXO-L71 | |
| Frequency range: | 75.0 ~ 270MHz | ■ |
| Frequency stability*: | ±100ppm ±50ppm ±25ppm | ■ □ □ |
| Operating temperature range: | -10 to +70°C -40 to +85°C | ■ □ |
| Storage temperature range: | -55 to +125°C | ■ |
| Supply voltage (V _{DD}): | +3.3V (±5%) | ■ |
| Supply current: | 66mA max | ■ |
| Output: | LVDS | ■ |
| Offset voltage: | 1.25V typ | ■ |
| Differential output voltage: | 0.247V ~ 0.454V (0.33V typ) | ■ |
| Output load: | 100Ω | ■ |
| Start up time: | 10ms max | ■ |
| Waveform symmetry: | 45:55 max @ 50%V _{p-p} | ■ |
| Rise / fall time: | 0.7ns max (20 ~ 80%V _{p-p}) | ■ |
| Enable / disable function: | Tristate (control via pad 1) | ■ |
| Output enable / disable time: | 10 ms / 200ns max | ■ |
| Stand-by current: | 30μA max | ■ |
| Phase jitter RMS: | 1ps max (0.3ps typ), 12kHz~20MHz | ■ |

■ Standard. □ Optional - Please specify required code(s) when ordering

* Frequency stability is inclusive of calibration @ 25°C, operating temperature range, supply voltage change, load change, ageing, shock and vibration.

Ordering Information

Product name + option codes (if any) + frequency

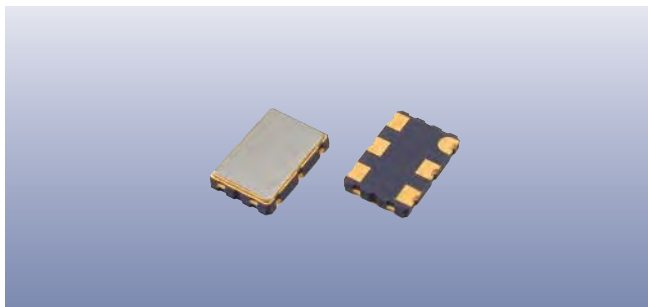
eg: **GXO-L71 80.0MHz** ±100ppm -10+70°C

GXO-L71/BI 125.0MHz ±50ppm -40+85°C

Option code X (eg GXO-L71/X) denotes a custom spec.

Enable / Disable Function

| Input (pad 1) | Output 1 (pad 4) | Output 2 (pad 5) |
|--|--------------------------------------|--------------------------------------|
| Open '1' level (≥0.7V _{DD}) '0' level (≤0.3V _{DD}) | Enabled Enabled High Impedance | Enabled Enabled High Impedance |



Construction

- ▮ Ceramic body with gold-plated pads
- ▮ Metal lid, seam sealed

Composition



This product is lead-free, and is fully compliant with the RoHS 2 directive 2011/65/EU



LeadFree

Packaging & Handling

Production quantities supplied on T&R, 2k pcs per reel.
Small quantities may be supplied on tape (no reel), or in bulk.



◆ Static sensitive product. Observe proper handling precautions

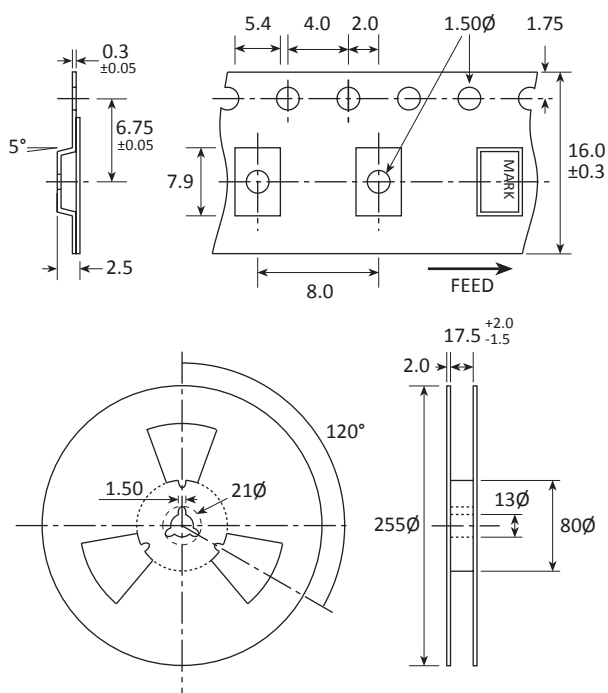
Marking

GOLLEDGE
FREQUENCY
• PARTNO DC

- Pin 1
- Marking type: Laser
- DC = Date code in YM, eg "CE" = May 2013

| | A | B | C | D | E | F | G | H | J | K | L | M |
|---|-----|-----|-----|-----|-----|-----|-----|-----|-----|-----|-----|-----|
| Y | 1 | 2 | 3 | 4 | 5 | 6 | 7 | 8 | 9 | 0 | | |
| M | Jan | Feb | Mar | Apr | May | Jun | Jul | Aug | Sep | Oct | Nov | Dec |

Tape & Reel Specification



Not to scale. Dimensions in mm. Tolerances ±0.1mm unless otherwise stated.

Soldering Profile

