

PAD	CONNECTION
1	Enable / disable or Not connected
2	Not connected
3	Ground
4	Output 1
5	Output 2
6	Supply

Features

- ▶ Differential outputs
- ▶ Low phase jitter
- ▶ Enable / disable tristate option
- ▶ Fast rise / fall times
- ▶ Designed for SONET, SDH, IEEE1394 etc

Specifications

Parameters	Variant		Option Codes
	L	J	
Frequency range:	40.0 ~ 200MHz		
Frequency stability*:	±100ppm	±50ppm	B A
	±50ppm	±25ppm	
	±25ppm		
Operating temperature range:	-10 to +70°C	-40 to +85°C	I
	-40 to +85°C		
Storage temperature range:	-40 to +85°C		
Supply voltage (V _{DD}):	+3.3V (±5%)	+2.5V (±5%)	
Supply current:	90mA max, 60mA typ		
Output:	Complementary LV-PECL		
Output load:	50Ω (into V _{DD} -2V)		
Logic levels:	'0' level (max) '1' level (min)	1.745V 2.215V	1.195V 1.415V
Start up time:	10ms max		
Waveform symmetry:	45:55 max @ 50%V _{p-p} 40:60 max @ 50%V _{p-p}		
Rise / fall time:	1.0ns max (20 ~ 80%V _{p-p})		
Enable / disable function:	Tristate (control via pad 1) None (pad 1 not connected)		N
Output enable / disable time:	2ms / 200ns max		
Stand-by current:	30μA max		
Phase jitter RMS:	1ps max (0.3ps typ), 12kHz~20MHz		
Ageing:	±5ppm max, 1st year		

■ Standard. □ Optional - Please specify required code(s) when ordering

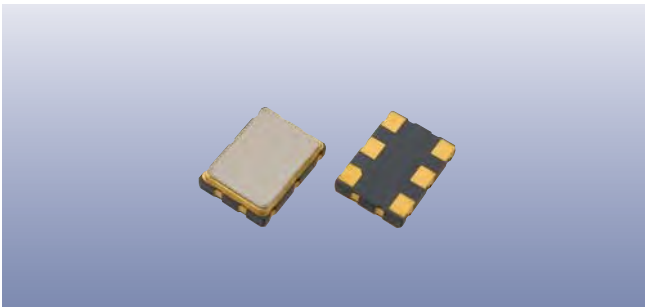
* Frequency stability is inclusive of calibration @ 25°C, operating temperature range, supply voltage change and load change.

Ordering Information



Product name + variant + option codes (if any) + frequency
 eg: **GXO-E72L 108.0MHz** 3.3V, ±100ppm -10+70°C
GXO-E72J/BI 125.0MHz 2.5V, ±50ppm -40+85°C
 Option code X (eg GXO-E72L/X) denotes a custom spec.

Enable / Disable Function

Input (pad 1)	Output 1 (pad 4)	Output 2 (pad 5)
Open '1' level (≥0.7V _{DD}) '0' level (≤0.3V _{DD})	Enabled Enabled High Impedance	Enabled Enabled High Impedance



Construction

-  Ceramic body with gold-plated pads
-  Metal lid, seam sealed

Composition



This product is lead-free, and is fully compliant with the RoHS 2 directive 2011/65/EU



Packaging & Handling

Production quantities supplied on T&R, 1k pcs per reel.
Small quantities may be supplied on tape (no reel), or in bulk.



♦ Static sensitive product. Observe proper handling precautions

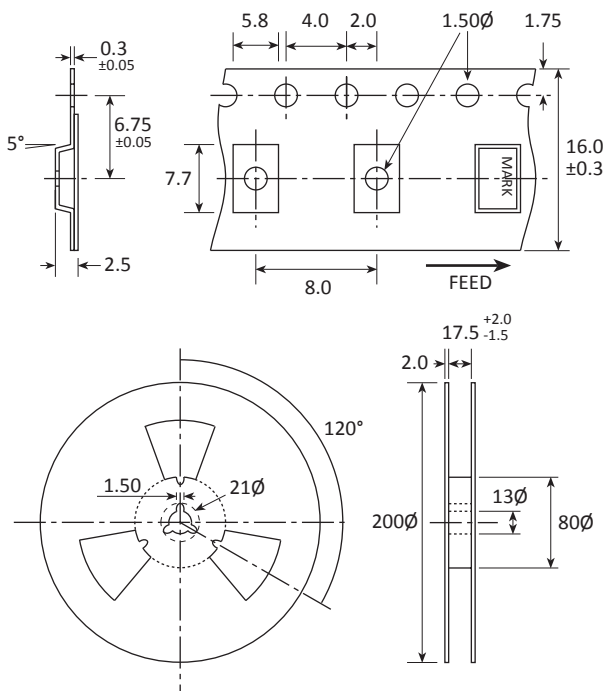
Marking

FREQUENCY DC
• PARTNO

• Pin 1
Marking type: Laser
DC = Date code in YM, eg "CE" = May 2013

	A	B	C	D	E	F	G	H	J	K	L	M
Y	1	2	3	4	5	6	7	8	9	0		
M	Jan	Feb	Mar	Apr	May	Jun	Jul	Aug	Sep	Oct	Nov	Dec

Tape & Reel Specification



Not to scale. Dimensions in mm. Tolerances ±0.1mm unless otherwise stated.

Soldering Profile

