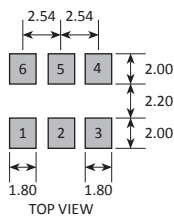


SOLDER PAD LAYOUT



PAD	CONNECTION
1	Enable/Disable
2	Not connected
3	Ground
4	Output 1
5	Output 2
6	Supply

## Features

- ▶ Complementary LV-PECL outputs
- ▶ Low phase jitter
- ▶ Enable / disable tristate function
- ▶ Power saving function
- ▶ Fast rise / fall times

## Specifications

Parameters	Product	Option Codes
	GXO-E71	
Frequency range:	40.0 ~ 270MHz	
Frequency stability*:	±100ppm ±50ppm ±25ppm	B A
Operating temperature range:	-10 to +70°C -40 to +85°C	I
Storage temperature range:	-55 to +125°C	
Supply voltage (V <sub>DD</sub> ):	+3.3V (±5%)	
Supply current:	60mA max	
Output:	Complementary LV-PECL	
Test load:	R <sub>TT</sub> (Ω) V <sub>TT</sub> (V)	50 +1.3
Logic levels:	'0' level = 1.7V max '1' level = 2.2V min	
Start up time:	10ms max	
Waveform symmetry:	40:60 max @ 50%V <sub>p-p</sub>	
Rise / fall time:	1.0ns max (20 ~ 80%V <sub>p-p</sub> )	
Enable / disable function:	Tristate (control via pad 1)	
Output enable / disable time:	10 ms / 100ns max	
Stand-by current:	10µA max	
Phase jitter RMS:	1ps max (0.3ps typ), 12kHz~20MHz	

■ Standard. □ Optional - Please specify required code(s) when ordering

\* Frequency stability is inclusive of calibration @ 25°C, operating temperature range, supply voltage change, load change, ageing, shock and vibration.

## Ordering Information

Product name + option codes (if any) + frequency

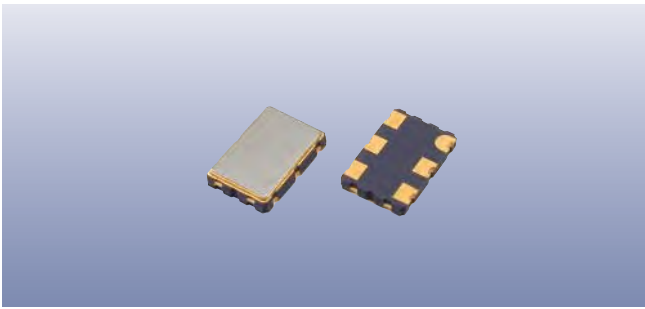
eg: **GXO-E71 106.250MHz** ±100ppm -10+70°C

**GXO-E71/BI 77.760MHz** ±50ppm -40+85°C

Option code X (eg GXO-E71/X) denotes a custom spec.

## Enable / Disable Function

Input (pad 1)	Output 1 (pad 4)	Output 2 (pad 5)
Open	Enabled	Enabled
'1' level (≥0.7V)	Enabled	Enabled
'0' level (≤0.3V)	High Impedance	High Impedance



## Construction

- ▮ Ceramic body with gold-plated pads
- ▮ Metal lid, seam sealed

## Composition



This product is lead-free, and is fully compliant with the RoHS 2 directive 2011/65/EU



## Packaging & Handling

Production quantities supplied on T&R, 2k pcs per reel.  
Small quantities may be supplied on tape (no reel), or in bulk.



◆ Static sensitive product. Observe proper handling precautions

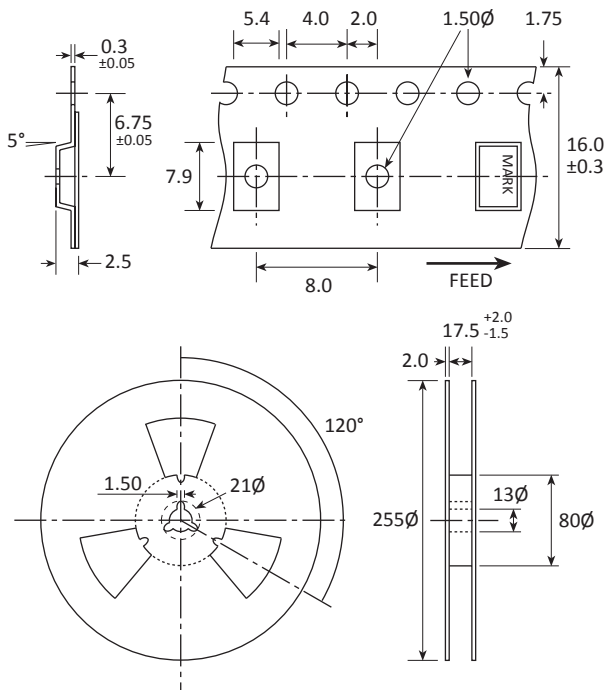
## Marking

GOLLEDGE  
FREQUENCY  
• PARTNO DC

- Pin 1
- Marking type: Laser
- DC = Date code in YM, eg "CE" = May 2013

	A	B	C	D	E	F	G	H	J	K	L	M
Y	1	2	3	4	5	6	7	8	9	0		
M	Jan	Feb	Mar	Apr	May	Jun	Jul	Aug	Sep	Oct	Nov	Dec

## Tape & Reel Specification



Not to scale. Dimensions in mm. Tolerances ±0.1mm unless otherwise stated.

## Soldering Profile

