

Features

- ▶ Low voltage and low power consumption
- ▶ Ceramic package with metal lid
- ▶ Enable / disable tristate function
- ▶ Competitive pricing

Specifications

GXO-7521G: 1.8V supply

GXO-7521J: 2.5V supply

GXO-7521K: 2.8V supply

Parameters	Variant			Option Codes
	G	J	K	
Frequency range: 0.50 ~ 160MHz	■	■	■	
Frequency stability*: ±100ppm ±50ppm ±25ppm	■ ■ ■	■ ■ ■	■ ■ ■	B A
Operating temperature range: -10 to +70°C -40 to +85°C	■ ■	■ ■	■ ■	I
Storage temperature range: -55 to +125°C	■	■	■	
Supply voltage (V _{DD}): +1.8V (±5%) +2.5V (±5%) +2.8V (±5%)	■ ■ ■	■	■	
Supply current (mA max): 0.5 ~ 31.9MHz 32.0 ~ 79.9MHz 80.0 ~ 124.9MHz 125 ~ 160MHz	7 15 25 35	10 18 28 38	12 20 30 40	
Logic levels: '0' level = 10%V _{DD} max '1' level = 90%V _{DD} min	■ ■	■ ■	■ ■	
Start up time: 0.2ms typ	■	■	■	
Waveform symmetry: 45:55 max @ 50%V _{DD}	■	■	■	
Driving ability: 15pF CMOS	■	■	■	
Rise / fall time: 5ns max	■	■	■	
Enable / disable function: Tristate (control via pad 1) (E/D times 100µs / 100µs typ)	■	■	■	
Stand-by current: 10µA max	■	■	■	

■ Standard. □ Optional - Please specify required code(s) when ordering.

* Frequency stability is inclusive of calibration @ 25°C, operating temperature range, supply voltage change, load change, reflow and ageing.

Ordering Information

Product name + variant + option codes (if any) + frequency

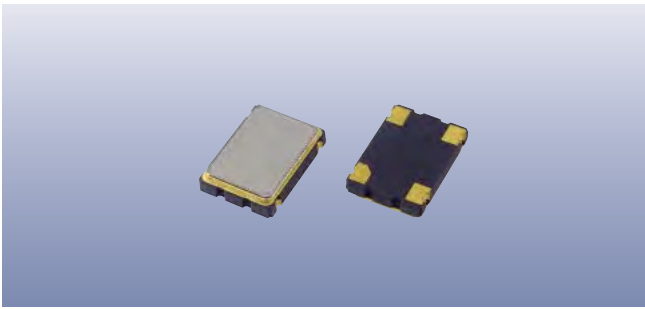
eg: **GXO-7521G 48.0MHz** 1.8V, ±100ppm, -10+70°C

GXO-7521J/BI 64.0MHz 2.5V, ±50ppm, -40+85°C

Option code X (eg GXO-7521J/X) denotes a custom spec.

Enable / Disable Function

Input (pad 1)	Output (pad 3)
Open	Enabled
'1' level	Enabled
'0' level	High Impedance



Construction

- ▮ Ceramic body with gold-plated pads
- ▮ Metal lid, seam sealed

Composition



This product is lead-free, and is fully compliant with the RoHS 2 directive 2011/65/EU



Packaging & Handling

Production quantities supplied on T&R, 1k pcs per reel.
Small quantities may be supplied on tape (no reel), or in bulk.



◆ Static sensitive product. Observe proper handling precautions

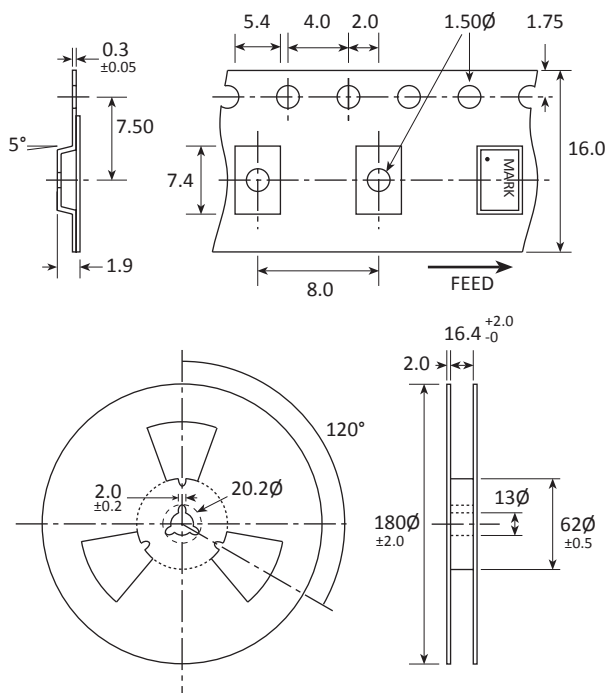
Marking

GOLLEDGE
FREQUENCY
• PART NO DC

- Pin 1
- Marking type: Laser
- DC = Date code in YM, eg "EC" = Mar 2015

	A	B	C	D	E	F	G	H	J	K	L	M
Y	1	2	3	4	5	6	7	8	9	0		
M	Jan	Feb	Mar	Apr	May	Jun	Jul	Aug	Sep	Oct	Nov	Dec

Tape & Reel Specification



Not to scale. Dimensions in mm. Tolerances ±0.1mm unless otherwise stated.

Soldering Profile

