

Specifications

GXO-5301G: 1.8V supply

GXO-5301L: 2.5V ~ 3.3V supply

Parameters	Variant		Option Codes
	G	L	
Frequency range: 0.50 ~ 156.25MHz	■	■	
Frequency stability*:	□	□	B A
±100ppm	■	■	
±50ppm ±25ppm	□	□	
Operating temperature range:			I D
-10 to +70°C	■	■	
-40 to +85°C -40 to +105°C	□	□	
Storage temperature range:	■	■	
-55 to +125°C			
Supply voltage (V _{DD}):	■	■	
+1.8V (±5%) +2.5V ~ 3.3V (±5%) (see note 1)			
Supply current (mA max):			
<= 20.0MHz	2.5	7	
>20.0 ~ 40.0MHz	3.0	13	
>40.0 ~ 60.0MHz	7.0	19	
>60.0 ~ 100MHz	20	35	
>100 ~ 125MHz	25	40	
>125 ~ 156MHz (see note 2)	30	45	
Logic levels: '0' level = 10%V _{DD} max '1' level = 90%V _{DD} min	■	■	
Start up time: 10ms max	■	■	
Waveform symmetry:			
40:60 @ 50%V _{DD}	■		
45:55 @ 50%V _{DD}		■	
Driving ability: 15pF CMOS	■	■	
Rise / fall time: 10ns max (<40MHz) 7ns max (40~125MHz) 2ns max (>125MHz)	■	■	
Enable / disable function: Tristate (control via pad 1)	■	■	

■ Standard. □ Optional - Please specify required code(s) when ordering

* Frequency stability is inclusive of calibration @ 25°C, operating temperature range, supply voltage change, load change, shock and vibration.

Features

- ▶ Low current consumption
- ▶ Enable / disable tristate function
- ▶ Miniature ceramic package with metal lid
- ▶ Competitive pricing

Enable / Disable Function

Input (pad 1)	Output (pad 3)
Open	Enabled
'1' level	Enabled
'0' level	High Impedance

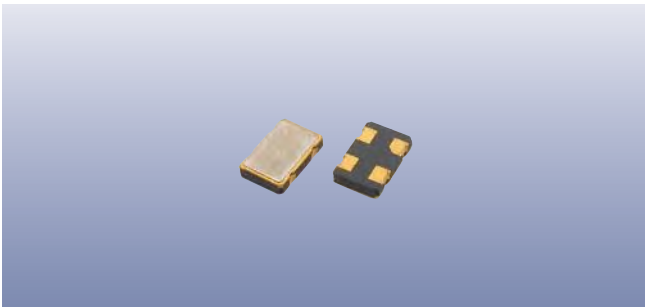
Ordering Information

Product name + variant + option codes (if any) + frequency

eg: **GXO-5301L/A 40.0MHz** 2.5~3.3V, ±25ppm, -10~70°C

GXO-5301G/BI 24.5760MHz 1.8V, ±50ppm, -40~85°C

- ♦ 1: GXO-5301L will operate within specification on any supply voltage from +2.5V to +3.3V.
- ♦ 2: Supply current for GXO-5301L will vary with supply voltage. Figures shown are for 3.3V supply.



Construction

- ▮ Ceramic body with gold-plated pads
- ▮ Metal lid, seam sealed

Composition



This product is lead-free, and is fully compliant with the RoHS 2 directive 2011/65/EU



Packaging & Handling

Production quantities supplied on T&R, 1k pcs per reel.
Small quantities may be supplied on tape (no reel), or in bulk.



◆ Static sensitive product. Observe proper handling precautions

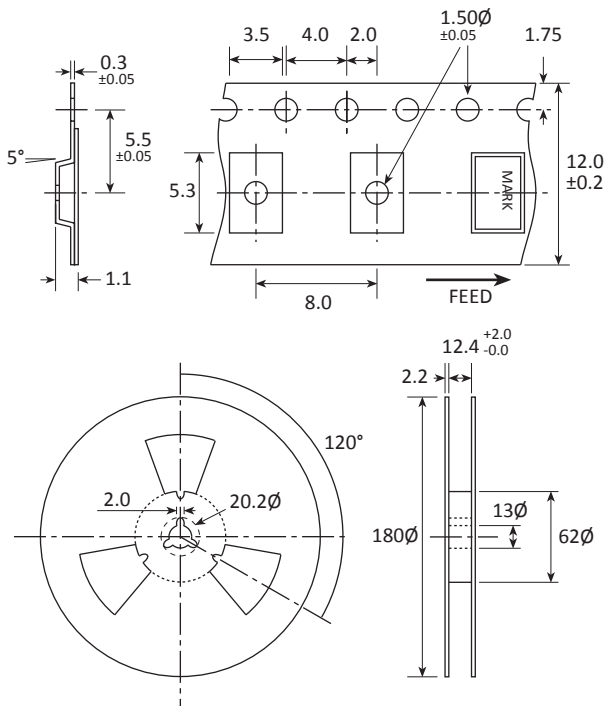
Marking

FREQUENCY	DC
PART NO	

Marking type: Laser
DC = Date code in YM, eg "DG" = Jul 2014

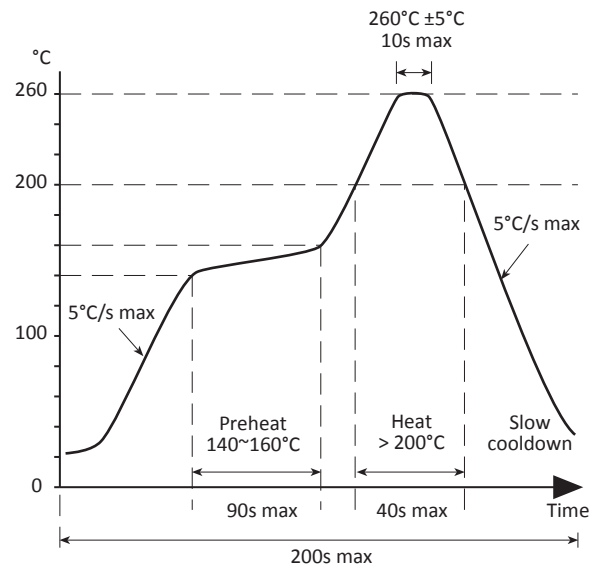
	A	B	C	D	E	F	G	H	J	K	L	M
Y	1	2	3	4	5	6	7	8	9	0		
M	Jan	Feb	Mar	Apr	May	Jun	Jul	Aug	Sep	Oct	Nov	Dec

Tape & Reel Specification



Not to scale. Dimensions in mm. Tolerances ±0.1mm unless otherwise stated.

Soldering Profile



Solder resistance: 260°C x 10 secs x 2.