

Features

- ▶ Ultra high stability
- ▶ Compact 14-pin DIL package (SMD optional)
- ▶ 3.3V supply voltage
- ▶ CMOS compatible output
- ▶ Very fast warmup
- ▶ Low power consumption
- ▶ Wide temperature range available

Standard Frequencies

Frequencies in MHz	
10.00000	20.00000
12.00000	26.00000
12.80000	40.00000
14.74560	52.00000
16.00000	54.00000

Specifications

Parameters	Product	Option Codes
	SCOCXOWT	
Frequency range: 10.0kHz ~ 54.0MHz	■	
Frequency stability: ±0.3ppm max first year ±2.5ppm max in 10 years ±0.1ppm over $V_{DD} \pm 0.15V$ ±0.01ppm over 10% change in load	■ ■ ■ ■	
Short term stability: 1×10^{-10} , τ 0.1 to 30s 5×10^{-11} typ at 1s	■ ■	
Temperature stability: ±0.05ppm max, 0 to +60°C ±0.075ppm max, -20 to +70°C ±0.1ppm max, -40 to +85°C	□ □ □	A B C
Storage temperature range: -55 to +125°C	■	
Output waveform: CMOS compatible '0' = +0.4V max, '1' = $V_{DD} - 0.5V$ min 40:60 max Rise/fall times 7ns max (no load)	■ ■ ■ ■	
Load: 3pF min, 47pF max	■	
Start up time: 5ms max	■	
Frequency adjustment: ±2.5ppm min Control voltage 0.5~3.3V, pin 1 Variable resistor 0~10kΩ, pins 1 to 7 None (int accuracy ±1.0ppm) None (int accuracy ±0.5ppm)	■ □ □ □ □	V R A B
Supply voltage (V_{DD}): +3.3V (±0.15V)	■	
Input current: 120mA max @ +25°C 170mA max @ -20°C	■ ■	
Warm up time (secs): current 250mA max @ 25°C to within ±0.1ppm @ 25°C	30 120	
Phase noise (typ @ 10MHz): -100dBc/Hz @ 10Hz -130dBc/Hz @ 100Hz -140dBc/Hz @ 1kHz -145dBc/Hz @ 10kHz	■ ■ ■ ■	
Shock & vibration: 5,000G, 0.3ms ½-sine 10.0 ~ 2,000Hz, 20G	■ ■	
Package: Through hole 14 pin DIL SMD options 1 or 2	■ □	specify

■ Standard. □ Optional - Please specify required code(s) when ordering

Ordering Information

Product name + option codes + frequency

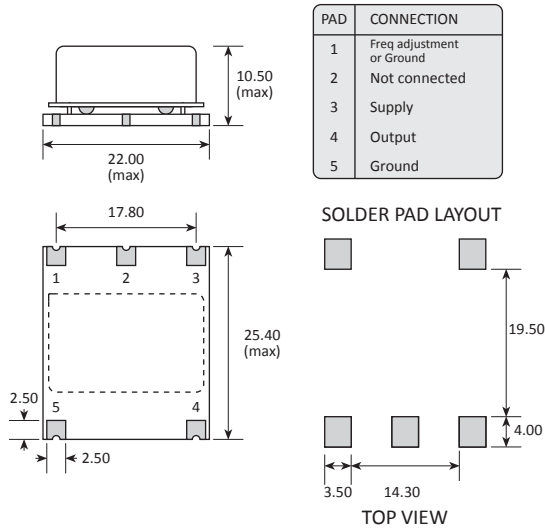
eg: **SCOCXOWT-AR 10.0MHz**

SCOCXOWT-BV 16.0MHz

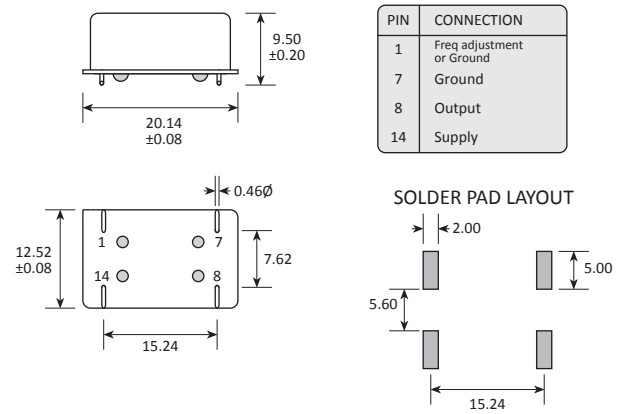
Option code X (eg SCOCXOWT/X) denotes a custom spec.

◆ Product is NOT designed to withstand 260°C reflow processing

Option D1



Option D2



Soldering Profile

