



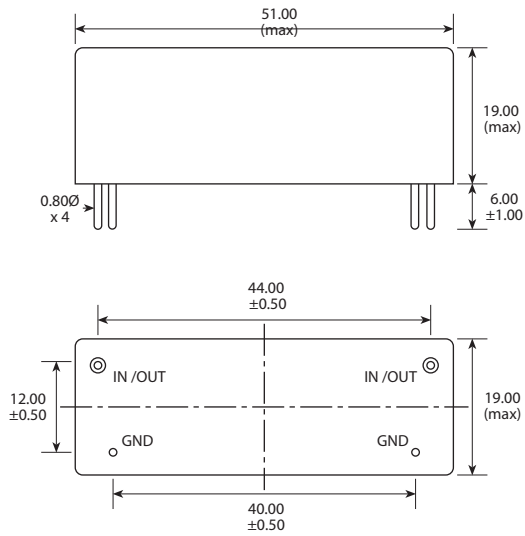
Model Number	Centre Frequency (kHz)	Number of Poles	Pass Band dB @ kHz	Attenuation Band dB @ kHz	Spurious Response (dB)	In-Band Ripple (dB)	Insertion Loss (dB)	Termination ( $\Omega$ // pF)	Operating Temp Range	Application Mode	Package Style
<b>455M500</b>	454.20	8	6 $\pm$ 0.25	60 $\pm$ 0.55	70	2.0	7.0	2000	-20 to +70	CW	D0147-A
<b>455H2.4</b>	455.0	8	6 $\pm$ 1.2	60 $\pm$ 2.0	70	2.0	7.0	2000	-20 to +70	SSB	D0147-A
<b>455H2.1</b>	455.0	8	6 $\pm$ 1.05	60 $\pm$ 1.75	70	2.0	6.0	2000 // 15	-10 to +60	SSB	D0270-A
<b>455H400A</b>	455.0	8	6 $\pm$ 0.2	60 $\pm$ 0.4	80	2.0	6.0	2000 // 15	-10 to +60	CW	D0270-A
<b>455H400</b>	455.7	8	6 $\pm$ 0.2	60 $\pm$ 0.4	80	2.0	6.0	2000 // 15	-10 to +60	CW	D0270-A
<b>455H600</b>	455.0	8	6 $\pm$ 0.3	60 $\pm$ 0.6	70	2.0	6.0	2000	-10 to +60	CW	D0270-A
<b>455H1.2X</b>	455.0	8	6 $\pm$ 1.2	66 $\pm$ 2.1	68	2.0	6.0	1500 // 30	-10 to +60	SSB	D0271-A
<b>455H400X</b>	455.0	8	6 $\pm$ 0.2	60 $\pm$ 0.4	60	2.0	6.0	1500 // 30	-10 to +60	CW	D0271-A
<b>455H500X</b>	455.0	8	6 $\pm$ 0.25	60 $\pm$ 0.5	60	2.0	6.0	1500 // 30	-10 to +60	CW	D0271-A
<b>455H250X</b>	455.0	8	6 $\pm$ 0.125	60 $\pm$ 0.24	60	2.0	6.0	1500 // 30	-10 to +60	CW	D0271-A
<b>455H250</b>	455.0	8	6 $\pm$ 0.125	60 $\pm$ 0.25	70	2.0	6.0	2000 // 15	-10 to +60	CW	D0270-A
<b>455H500</b>	455.0	8	6 $\pm$ 0.25	60 $\pm$ 0.5	70	2.0	6.0	2000 // 15	-10 to +60	CW	D0270-A
<b>455H1.8</b>	455.0	8	6 $\pm$ 0.9	60 $\pm$ 1.65	70	2.0	6.0	2000 // 15	-10 to +60	SSB	D0270-A

Model Number	Centre Frequency (MHz)	Number of Poles	Pass Band dB @ kHz	Attenuation Band dB @ kHz	Spurious Response (dB)	In-Band Ripple (dB)	Insertion Loss (dB)	Termination ( $\Omega$ // pF)	Operating Temp Range	Application Mode	Package Style
<b>88H250</b>	8.8307	8	6 $\pm$ 0.125	60 $\pm$ 0.375	60	2.0	12.0	470 // 5	-10 to +60	CW	D0147-A
<b>88H400</b>	8.8307	8	6 $\pm$ 0.2	60 $\pm$ 0.7	60	2.0	9.0	470 // 5	-10 to +60	CW	D0147-A
<b>88H1.8</b>	8.830	8	6 $\pm$ 0.9	60 $\pm$ 1.7	80	2.0	4.0	470 // 5	-10 to +60	SSB	D0147-A
<b>88H2.1</b>	8.830	8	6 $\pm$ 1.05	60 $\pm$ 1.9	80	2.0	4.0	470 // 5	-10 to +60	SSB	D0147-A
<b>88H6.0</b>	8.830	8	6 $\pm$ 3.0	60 $\pm$ 5.25	80	2.0	3.0	470 // 5	-10 to +60	AM	D0147-A
<b>89H1.8</b>	8.9875	8	6 $\pm$ 0.9	60 $\pm$ 1.7	80	2.0	4.0	500	-10 to +60	SSB	D0164-A
<b>89H2.1</b>	8.9875	8	6 $\pm$ 1.05	60 $\pm$ 1.9	80	2.0	4.0	500	-10 to +60	SSB	D0164-A
<b>89H2.4</b>	8.9875	8	6 $\pm$ 1.2	60 $\pm$ 2.0	80	2.0	3.0	500	-10 to +60	SSB	D0164-A
<b>89H6.0</b>	8.9875	8	6 $\pm$ 3.0	60 $\pm$ 5.25	80	2.0	3.0	470 // 5	-10 to +60	AM	D0164-A

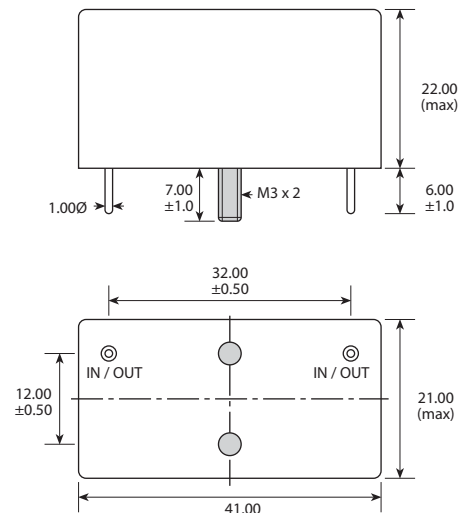
Model Number	Centre Frequency (MHz)	Number of Poles	Pass Band dB @ kHz	Attenuation Band dB @ kHz	Spurious Response (dB)	In-Band Ripple (dB)	Insertion Loss (dB)	Termination ( $\Omega$ // pF)	Operating Temp Range	Application Mode	Package Style
<b>90H2.4B</b>	9.0	8	6 $\pm$ 1.2	60 $\pm$ 2.15	90	2.0	3.5	500 // 30	-10 to +60	SSB	D0164-A
<b>90H4.8B</b>	9.0	8	3 $\pm$ 2.4	60 $\pm$ 4.5	80	2.0	3.5	500 // 30	-10 to +60	AM	D0164-A
<b>90H400S</b>	9.0025	8	6 $\pm$ 0.2	60 $\pm$ 0.7	80	2.0	9.0	800	-10 to +60	CW	D0164-A
<b>90H600</b>	9.0	8	6 $\pm$ 0.3	60 $\pm$ 0.7	80	2.0	8.0	500	-10 to +60	CW	D0164-A
<b>90H2.2</b>	9.0	8	6 $\pm$ 1.1	60 $\pm$ 2.0	80	2.0	4.0	500	-10 to +60	SSB	D0164-A
<b>90H6</b>	9.0	8	6 $\pm$ 3.0	60 $\pm$ 5.5	80	2.0	4.0	500	-10 to +60	AM	D0164-A
<b>90H12B</b>	9.0	8	6 $\pm$ 6.0	60 $\pm$ 10.8	80	2.0	3.5	1200 // 30	-10 to +60	FM	D0164-A
<b>90H15</b>	9.0	8	6 $\pm$ 7.5	60 $\pm$ 15.0	70	2.0	4.0	500	-10 to +60	FM	D0164-A
<b>90H30</b>	9.0	8	6 $\pm$ 15.0	60 $\pm$ 30.0	70	2.0	6.0	500	-10 to +60	FM	D0164-A
<b>901H400</b>	9.0106	8	6 $\pm$ 0.2	60 $\pm$ 0.65	80	2.0	9.0	1000 // 5	-10 to +60	CW	D0164-A
<b>901H400A</b>	9.0115	8	6 $\pm$ 0.2	60 $\pm$ 0.65	80	2.0	9.0	1000 // 5	-10 to +60	CW	D0164-A
<b>901H2.1</b>	9.0115	8	6 $\pm$ 1.05	60 $\pm$ 1.75	80	2.0	4.0	1000 // 5	-10 to +60	SSB	D0164-A
<b>91H250</b>	8.9993	8	6 $\pm$ 0.125	60 $\pm$ 0.375	80	2.0	12.0	500	-10 to +60	CW	D0164-A
<b>91H500</b>	8.9993	8	6 $\pm$ 0.25	60 $\pm$ 0.7	80	2.0	8.0	500	-10 to +60	CW	D0164-A
<b>91H1.8</b>	9.0	8	6 $\pm$ 0.9	60 $\pm$ 1.7	80	2.0	4.0	500	-10 to +60	SSB	D0164-A
<b>91H2.1</b>	9.0	8	6 $\pm$ 1.05	60 $\pm$ 1.9	80	2.0	4.0	500	-10 to +60	SSB	D0164-A
<b>91H2.4</b>	9.0	8	6 $\pm$ 1.2	60 $\pm$ 2.0	80	2.0	4.0	500	-10 to +60	SSB	D0164-A
<b>91H6.0</b>	9.0	8	6 $\pm$ 3.0	60 $\pm$ 6.0	80	2.0	4.0	500	-10 to +60	AM	D0164-A

Model Number	Centre Frequency (MHz)	Number of Poles	Pass Band dB @ kHz	Attenuation Band dB @ kHz	Spurious Response (dB)	In-Band Ripple (dB)	Insertion Loss (dB)	Termination ( $\Omega$ // pF)	Operating Temp Range	Application Mode	Package Style
<b>107F600</b>	10.70	6	6 $\pm$ 0.3	60 $\pm$ 0.95	60	2.0	7.0	500	-10 to +60	CW	D0164-A
<b>107H600</b>	10.70	8	6 $\pm$ 0.3	60 $\pm$ 0.75	80	2.0	9.0	500	-10 to +60	CW	D0164-A
<b>107HL</b>	10.6985	8	6 $\pm$ 1.1	60 $\pm$ 2.0	80	2.0	4.0	500	-10 to +60	SSB	D0164-A
<b>107HU</b>	10.7015	8	6 $\pm$ 1.1	60 $\pm$ 2.0	80	2.0	4.0	500	-10 to +60	SSB	D0164-A
<b>107H2.2</b>	10.70	8	6 $\pm$ 1.1	60 $\pm$ 2.0	80	2.0	4.0	500	-10 to +60	SSB	D0164-A
<b>107H2.4</b>	10.70	8	6 $\pm$ 1.2	60 $\pm$ 2.0	80	2.0	4.0	500	-10 to +60	SSB	D0164-A
<b>107H15</b>	10.70	8	6 $\pm$ 7.5	60 $\pm$ 15.0	70	2.0	4.0	500	-10 to +60	FM	D0164-A
<b>107H30</b>	10.70	8	6 $\pm$ 15.0	60 $\pm$ 30.0	70	2.0	6.0	500	-10 to +60	FM	D0164-A
<b>1075H400</b>	10.75	8	6 $\pm$ 0.2	60 $\pm$ 0.7	80	2.0	10.0	500 // 18	-10 to +60	CW	D0147-A
<b>1075H2.1</b>	10.75	8	6 $\pm$ 1.05	60 $\pm$ 1.7	80	2.0	4.0	500 // 18	-10 to +60	CW	D0147-A
<b>1076H2.1</b>	10.760	8	6 $\pm$ 1.05	60 $\pm$ 1.9	80	2.0	5.0	500	-10 to +60	SSB	D0164-A
<b>1076H2.4</b>	10.760	8	6 $\pm$ 1.2	60 $\pm$ 2.0	80	2.0	4.0	500	-10 to +60	SSB	D0164-A

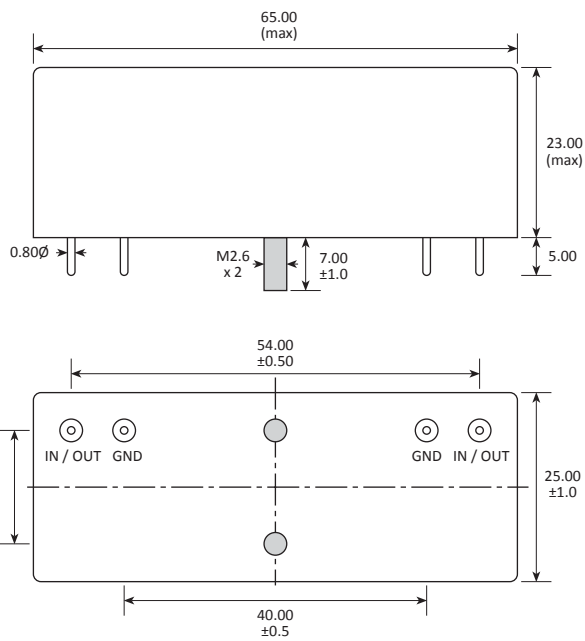
**D0147-A**



**D0164-A**



**D0270-A**



**D0271-A**

