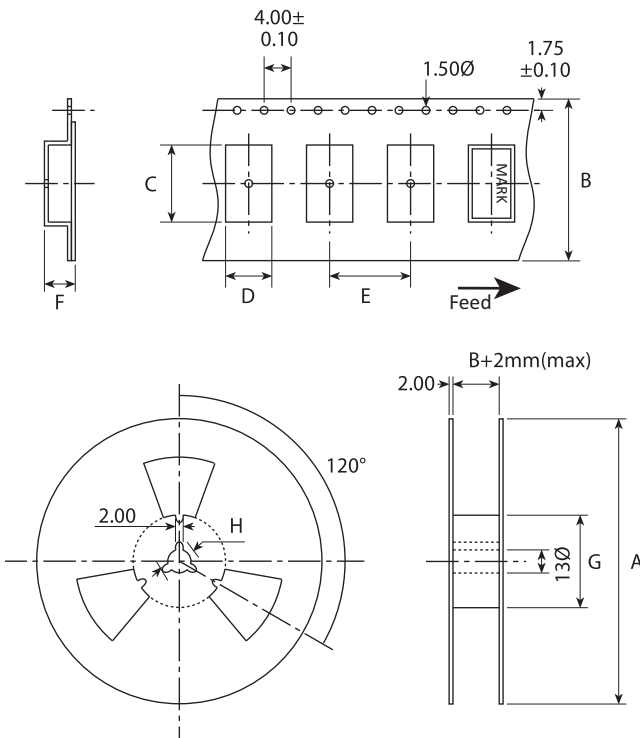




Introduction

This document contains details of tape and reel dimensions for those products which do not include this information within their own datasheet. If you cannot see the product name you are interested in here, it is very likely that the information will be incorporated into the product datasheet, which can be found in the products section of our website.

Tape & Reel Specifications



T & R Dimensions - Crystals

Product	A	B	C	D	E	F	G	H
CC1	178*	16	8.5	4.4	8.0	2.0	80	21
CC2	178*	12	5.3	3.5	8.0	1.4	80	21
CC4	178*	12	5.3	2.2	4.0	1.4	80	21
CC5	178*	12	4.4	1.8	4.0	1.1	80	21
CC6	178*	12	4.0	2.6	4.0	1.1	80	21
CC7 / CM7	178*	12	3.5	1.8	4.0	1.1	80	21
CM8	178*	8	2.2	1.4	4.0	0.9	80	21
GSX-1	250	16	7.9	5.4	8.0	2.2	80	25
GSX-11	250	24	12.2	5.9	12.0	2.5	80	21
GSX-2	250	16	7.9	5.4	8.0	1.7	80	25
GSX-250	330	16	8.3	4.0	8.0	2.8	100	21
GSX-331	178	8	3.5	2.8	4.0	1.0	60	21
GSX-431	178	12	4.4	2.9	4.0	1.1	80	21
GSX-532	178	12	5.5	3.7	8.0	1.7	80	21
GSX-6	178*	12	6.4	3.9	8.0	1.9	80	23
GSX-641	178	12	6.4	3.9	8.0	1.4	80	21
GSX-7	178*	12	6.4	3.9	8.0	1.9	80	21
GSX-751	300*	16	7.7	5.4	8.0	1.9	100	21
GSX-8	250	12	5.4	3.6	8.0	1.4	80	21
GSX-852	200	16	8.5	4.9	8.0	2.3	80	21
GSX49-4	330	24	13.9	5.6	12.0	4.8	100	21
HC49J	330	24	18.5	11.4	16.0	5.7	100	21
MS1	254	16	9.0	3.1	4.0	2.1	80	25
MS3	330	16	7.7	1.7	4.0	1.7	80	25
UM-1J	330	24	14.1	8.4	12.0	4.6	80	21
UM-5J	180	24	12.5	8.4	12.0	4.4	60	21

* Larger reel size available. Please ask for details

T & R Dimensions - Oscillators

Product	A	B	C	D	E	F	G	H
GXO-5331/51	178	12	5.3	3.5	8.0	1.5	62	21
GXO-U109	255	16	7.9	5.4	8.0	2.5	80	25
GXO-U113	255	12	6.4	3.9	8.0	1.9	80	25
GXO-U114	255	12	6.4	3.9	8.0	1.9	80	25
GXO-U115	250	12	5.5	3.7	8.0	1.7	80	25
GXO-U129	255	16	7.9	5.4	8.0	2.5	80	21
MCSO	330	24	16.5	14.8	12.0	3.5	80	21
MCSO1	330	16	8.5	4.4	8.0	2.0	80	21
OV7604C7	178	12	3.5	1.8	4.0	1.5	80	21

T & R Dimensions - Real Time Clocks (RTCs)

Product	A	B	C	D	E	F	G	H
RV1805C3	178*	12	4.0	2.7	4.0	1.0	80	21
RV2123C2	178*	12	5.3	3.5	8.0	1.4	80	21
RV3029C2	178*	12	5.3	3.5	8.0	1.4	80	21
RV3029C3	178*	12	4.0	2.7	4.0	1.0	80	21
RV3049C2	178*	12	5.3	3.5	8.0	1.4	80	21
RV3049C3	178*	12	4.0	2.7	4.0	1.0	80	21
RV4162C7	178*	12	3.5	1.8	4.0	1.0	80	21
RV8523C3	178*	12	4.0	2.7	4.0	1.0	80	21
RV8564C2	178*	12	5.3	3.5	8.0	1.4	80	21
RV8564C3	178*	12	4.0	2.7	4.0	1.0	80	21
RV8803C7	178*	12	3.5	1.8	4.0	1.0	80	21

* Larger reel size available. Please ask for details

T & R Dimensions - TCXOs

Product	A	B	C	D	E	F	G	H
GTGX-560/6	330	24	14.0	11.0	12.0	2.7	80	21
GTGX-570/6	330	24	14.0	11.0	12.0	2.7	80	21

T & R Dimensions - VCXOs

Product	A	B	C	D	E	F	G	H
GVXO-27	330	24	14.4	10.0	12.0	4.0	80	21
GVXO-32	330	24	14.4	10.8	16.0	6.0	80	21
GVXO-34	330	24	14.4	10.8	16.0	6.0	80	21
GVXO-36	330	32	21.1	14.6	24.0	5.2	100	21
GVXO-37	330	32	21.1	14.6	20.0	5.2	100	21
GVXO-38	330	32	20.8	14.2	20.0	7.2	100	21
GVXO-513/5	255	12	5.5	3.7	8.0	1.7	80	21
GVXO-53	250	16	7.9	5.4	8.0	2.5	80	25
GVXO-55	250	16	7.9	5.4	8.0	2.5	80	25

T & R Dimensions - Crystal Filters

Product	A	B	C	D	E	F	G	H
GSF-71	250	17.5	7.9	5.4	8.0	1.7	80	21
GSF-72	250	17.5	7.9	5.4	8.0	1.7	80	21
GSF-75	250	17.5	7.9	5.4	8.0	1.7	80	21