



Product Description

Description:	32.7680kHz GWX-1610 SM Crystal
Product family:	GWX-1610
Category:	SM Quartz Crystal
Order code:	MP08390

Features

- ▶ Ultra low profile - 0.5mm high
- ▶ Light weight miniature package
- ▶ Vacuum sealed for high stability

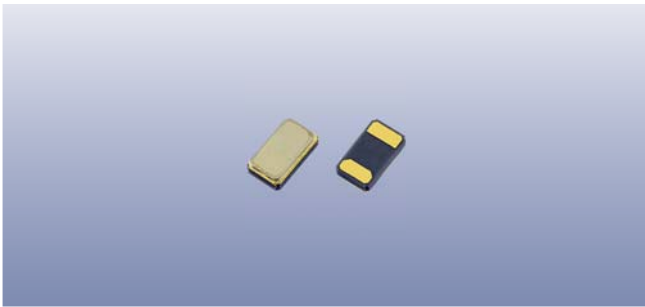
Additional Information

For further information regarding packaging, construction, material composition, soldering profile and environment, please refer to **GWX-1610 Product Information sheet**

For dimensions, refer to package drawing: **D0351-B**

Electrical Specifications

Parameter	Value	Notes
Nominal frequency:	32.7680kHz	
Calibration tolerance:	±20ppm	
Operating temperature range:	-40 to +85°C	
Storage temperature range:	-55 to +125°C	
Circuit condition:	6pF	
Static capacitance (C ₀):	1.2pF typ	
Oscillation mode:	Fundamental	
Equivalent series resistance:	90kΩ max	@25°C
Ageing:	±3ppm max	First year
Test drive level:	1.0μW max	
Turnover temperature (T ₀):	25°C ±5°C	
Frequency / temp coefficient:	-0.036ppm/°C ² typ	



Construction

- Ceramic body with gold-plated pads**
- Metal lid, vacuum sealed**

Composition



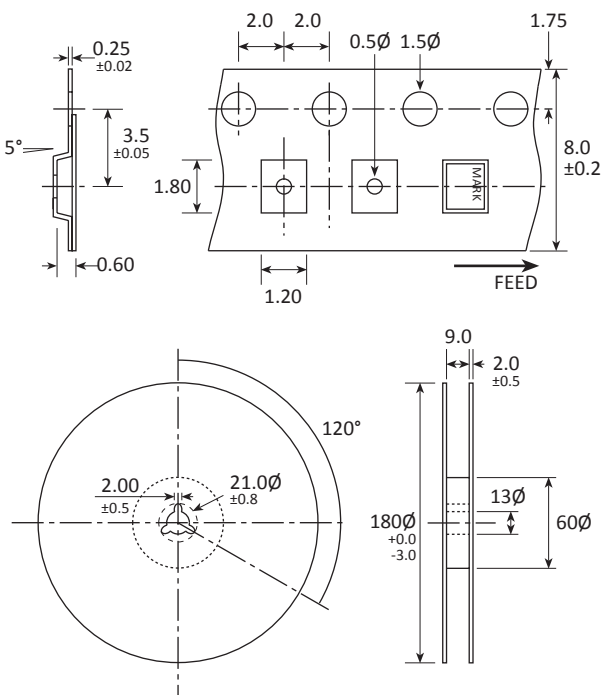
This product is lead-free, and is fully compliant with current RoHS directives



Packaging & Handling

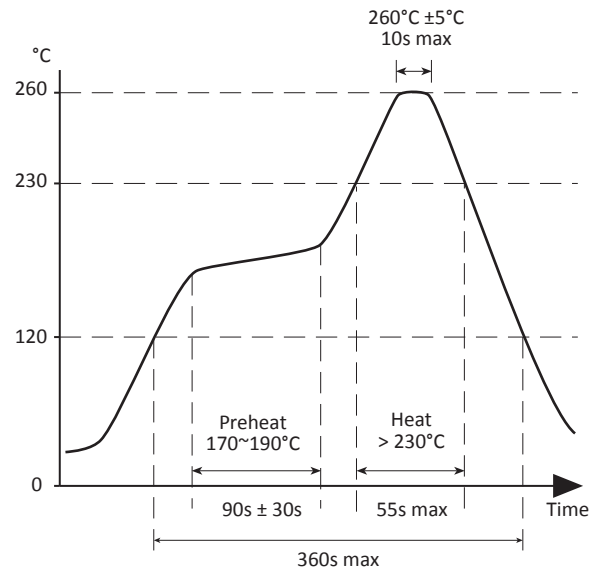
Production quantities supplied on T&R, 5k pcs per reel.
Small quantities may be supplied on tape (no reel), or in bulk.

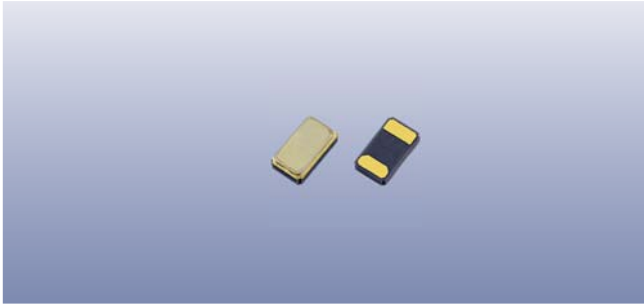
Tape & Reel Specification



Not to scale. Dimensions in mm. Tolerances ±0.1mm unless otherwise stated.

Soldering Profile





Product Family

GWX-1610

Construction

- ▮ Ceramic body with gold-plated pads
- ▮ Metal lid, seam sealed

Dimensions (mm)

