



Product Description

Description:	32.7680kHz GWX-2012 SM Crystal
Product family:	GWX-2012
Category:	SM Quartz Crystal
Order code:	MP07924

Features

- ▶ Ultra low profile - 0.6mm high
- ▶ Light weight miniature package
- ▶ Vacuum sealed for high stability

Additional Information

For further information regarding packaging, construction, material composition, soldering profile and environment, please refer to **GWX-2012 Product Information sheet**



For dimensions, refer to package drawing: **D0362-A**

Electrical Specifications

Parameter	Value	Notes
Nominal frequency:	32.7680kHz	
Calibration tolerance:	±20ppm max	
Operating temperature range:	-40 to +85°C	
Storage temperature range:	-55 to +125°C	
Circuit condition:	6pF	
Static capacitance (C ₀):	1.3pF typ	
Equivalent series resistance:	70kΩ max	@25°C
Aging:	±3ppm max	First year
Test drive level:	1.0μW max	
Turnover temperature (T ₀):	+25°C ±5°C	
Frequency / temp coefficient:	-0.033ppm/°C ² typ	



Construction

-  Ceramic body with gold-plated pads
-  Metal lid, vacuum sealed

Composition



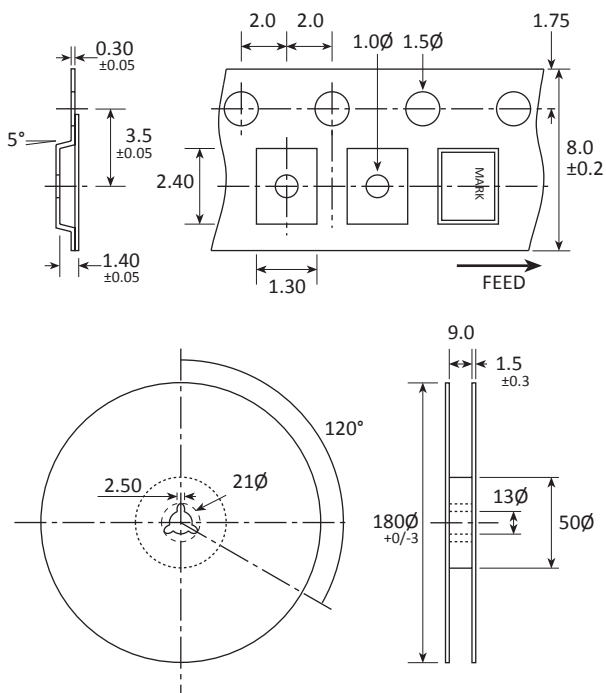
This product is lead-free, and is fully compliant with current RoHS directives



Packaging & Handling

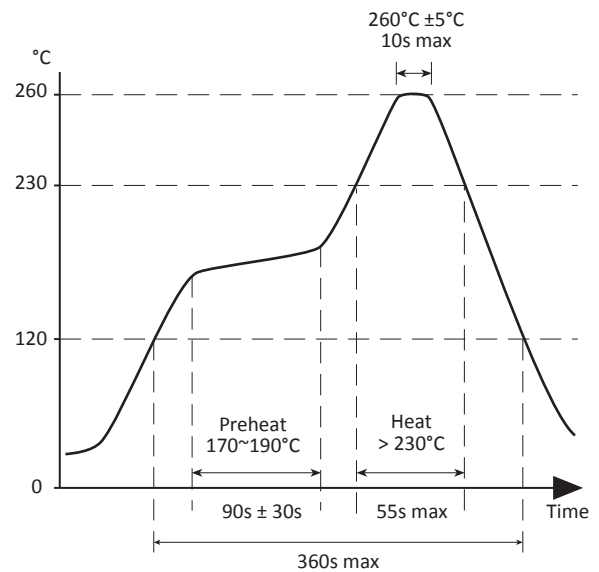
Production quantities supplied on T&R, 3k pcs per reel.
Small quantities may be supplied on tape (no reel), or in bulk.

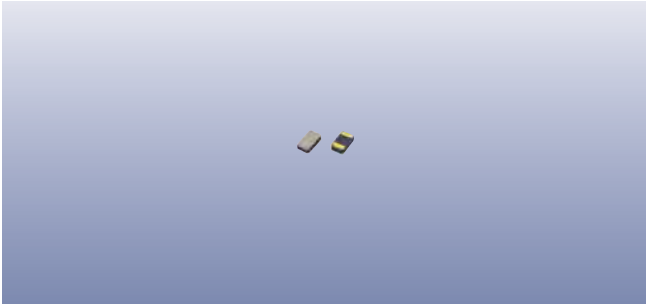
Tape & Reel Specification



Not to scale. Dimensions in mm. Tolerances ±0.1mm unless otherwise stated.

Soldering Profile





Product Family

GWX-2012

Construction

- ▮ Ceramic body with gold-plated pads
- ▮ Metal lid, vacuum sealed

Dimensions (mm)

